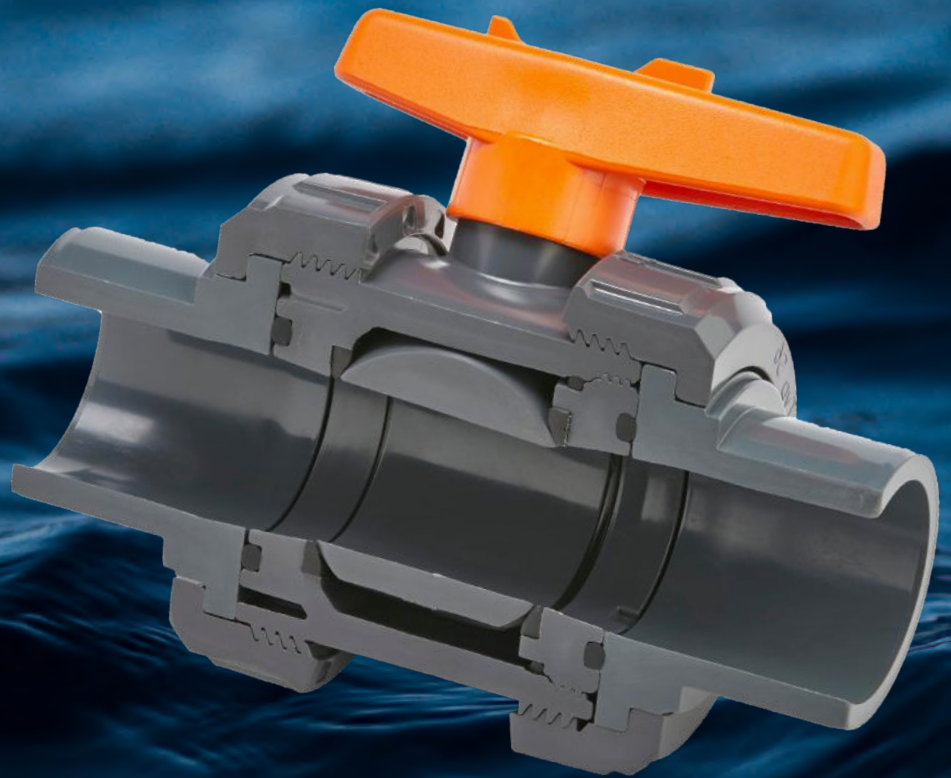


PVC VALVES



SAFETY FOR MANY YEARS



- Best flow rates due to non-reduced diameter
- High durability due to ball seating ring made of PTFE or PE
- Low weight
- Radial installation and disassembly
- Double shaft sealing
- UV resistant
- Corrosion-free
- Double side blocked body design offers more safety
- 100% function and leak test after assembly
- 100% pure PVC
- Handle in different colours and valve with personalized laser marking on request
- Operation temperature up to +60 °C/ 140 °F.

According to EG-VCM safety regulation.



*against housing breakage

General:

- Material: PVC-U
- Sealing materials: EPDM/FPM
- Ball seating joint: PTFE/PE
- Dimensions: DN10-DN80
- d16-d110
- d3/8-d4

Connector types:

- Solvent socket: DIN/ASTM/JIS
- Solvent spigot: DIN
- Threaded socket: BSP/NPT
- PE fusion spigot: DIN
- PE fusion socket: DIN

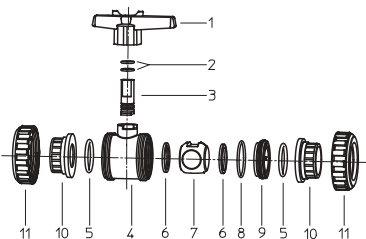
Operating pressure:

- PVC: DN10-DN80, d110 - PN16
- PE: DN10-DN80, d90 - PN16
- PE: DN80, d110 - PN10

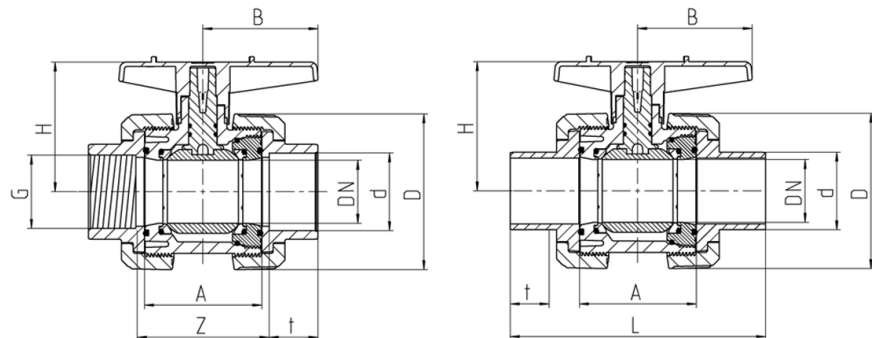


Exploded drawing:

- 1. Handle
- 2. O-Ring
- 3. Shaft
- 4. Body
- 5. O-Ring
- 6. O-Ring (only at DN80)
- 7. Ball seating joint
- 8. Ball
- 9. O-Ring
- 10. Thrust collar
- 11. Connector type
solvent socket/spigot
threaded socket
fusion socket/spigot
- 12. Union nut



Dimensions:



PVC-U

Connection types
PVC solvent socket/solvent spigot/threaded socket
PE fusion socket/spigot

DN	10	15	20	25	32	40	50	65	80	80
d	16	20	25	32	40	50	63	75	90	110
G _{GM} ¹	3/8"	1/2"	3/4"	1"	1 1/4"	1 1/2"	2"	2 1/2"	3"	4"
A	44.5	44.5	50	52.5	61	77	87	110	136	136
B	42.5	42.5	55	55	65	75	75	111	133.5	133.5
D	55.5	55.5	62	70	87	101.5	115.5	144.5	180.5	180.5
H	47	47	53	55.5	76	88.5	98	126	150.5	150.5
t _{KM} ²	16.5	16.5	19.5	22.5	26.5	31.5	38.5	45	56.5	61
t _{KS} ³	17	17	20	22.5	26.5	31.5	38.5	45	54	-
t _{SS PE} ⁴	13	14.5	15.5	18.5	15.5	29	31	32	30	-
t _{SM PE} ⁵	14.5	16	17	19.5	22	25	29	31.5	38	42
Z _{KM} ²	51	49	56	58	68	85	98	121	153	162
Z _{GM} ¹	50	50	57	60	67	86	98	123	156	-
Z _{SM PE} ⁵	54	51	60	64	75	97	115	138	182	186
L _{KS} ³	98	107	125	133	151	176	201	260	297	-
L _{SS PE} ⁴	95	105	123	130	119	162	175	226	266	-
PN _{PVC}	16	16	16	16	16	16	16	16	16	16
PN _{PE}	16	16	16	16	16	16	16	16	16	10

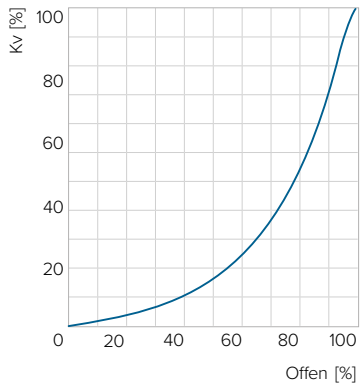
¹ TSO = threaded socket
² SSO = solvent socket
³ SSP = solvent spigot

⁴ FSP = fusion spigot
⁵ SM = fusion socket
- = currently not realized

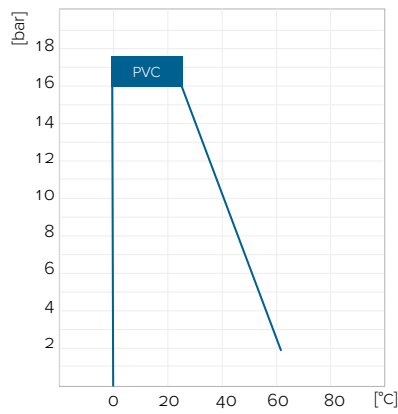
Dimensions in mm

DIAGRAMS OF S6 2-WAY BALL VALVE

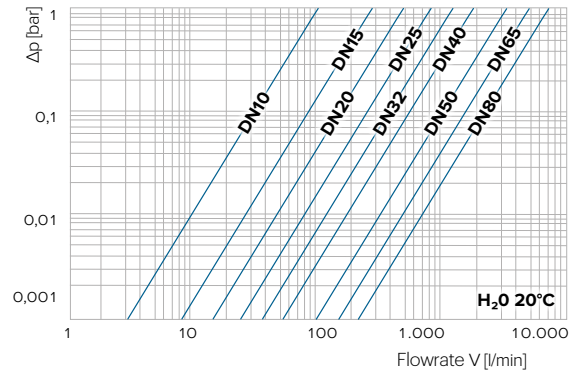
Diagram:
flow characteristics



Pressure temperature



Pressure loss



Pressure loss*	DN10	DN15	DN20	DN25	DN32	DN40	DN50	DN65	DN80
0.001 bar	4.1	6.3	13.3	20.5	28.4	44.2	82.2	143.8	212.5
1 bar	130	200	420	650	900	1400	2600	4550	6720

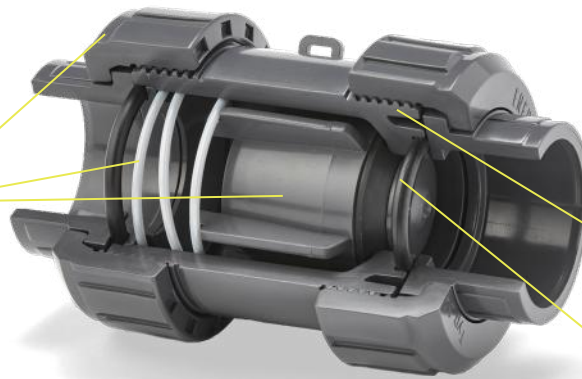
Specifications in l/min.

PVC CONE CHECK VALVE S4

PTFE-TEFLON COATED STEEL SPRING

For pools which are operated by salt electrolysis systems, low concentrated chlorine & other chemical liquids (for more details ask for our chemical resistance lists).

EXTREM ROBUST BODY, CONE AND SPRING DESIGN (OPTIONALLY WITH TEFLON COATING)



USE OF 100% PURE PVC MATERIAL

RELIABLE SEALING SYSTEM

MORE PRODUCTS FROM PRAHER PLASTICS

<p>Diaphragm valve T7</p> <p>d20 ½" – d140 5"</p>	<p>3-way ball valve S4</p> <p>d16 ½" – d63 2"</p>	<p>Laboratory ball valve S4</p> <p>¼", ⅜"</p>	<p>Cone check valve S6</p> <p>d40 1¼" – d63 2"</p>	<p>PVC IBG/PRAHER pressure fittings</p> <p>d10 – d400</p>
<p>Butterfly valve K4</p> <p>d75 2½" – d225 8"</p>	<p>PVC IBG FlexFit</p> <p>d50 1½" – d63 2" for PVC FlexFit hose, PVC and PE pipes</p>	<p>PVC pressure pipe</p> <p>d16 – d400 PN6, 10 and 16</p>	<p>Wafer check valve K4, K6</p> <p>K4: d70 2½" – d225 8" K6: d50 1½" – d315 12"</p>	<p>IBG® pipe clip</p> <p>d16 – d87, for plastic pipes Typ B</p>

PERAQUA®



**Peraqua Professional
Water Products GmbH**
Handelsstraße 8, 4300 St. Valentin

T. +43 7435/58488-0
info@peraqua.com



shop.peraqua.com



PERAPLAS DEUTSCHLAND GMBH
Regensburger Ring 12, 91154 Roth
T. +49 9171 9677-1200
office.de@peraplas.com



PERAPLAS ČESKO s.r.o.
25101 Říčany-Jažlovice, Zdebradská 62
T. +420 323 63 76-73
office.cz@peraplas.com



CHEMIA BRUGG AG
Aarauerstrasse 51 | 5200 Brugg
T. +41 56 460 62 60
info@chemia.ch

Member of **PRAHER
GROUP**