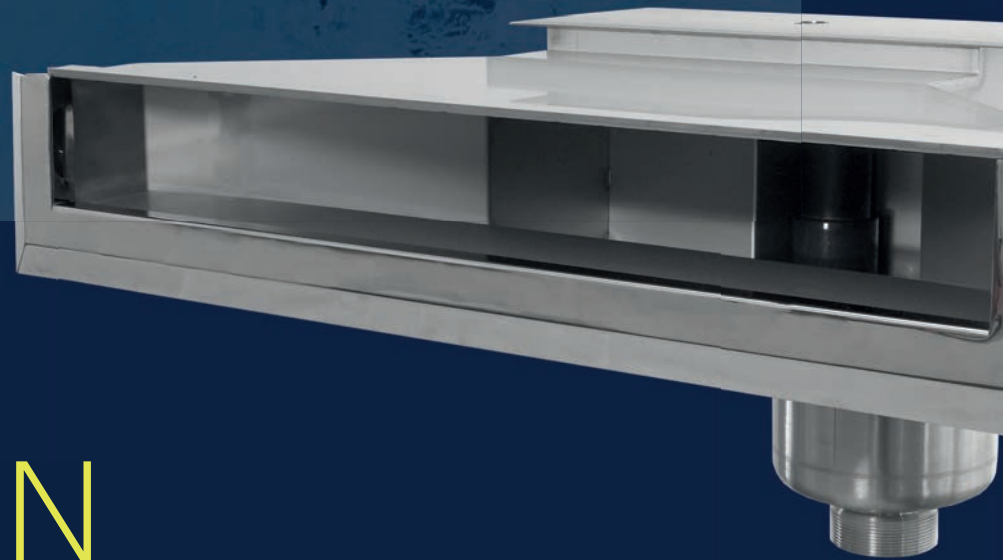
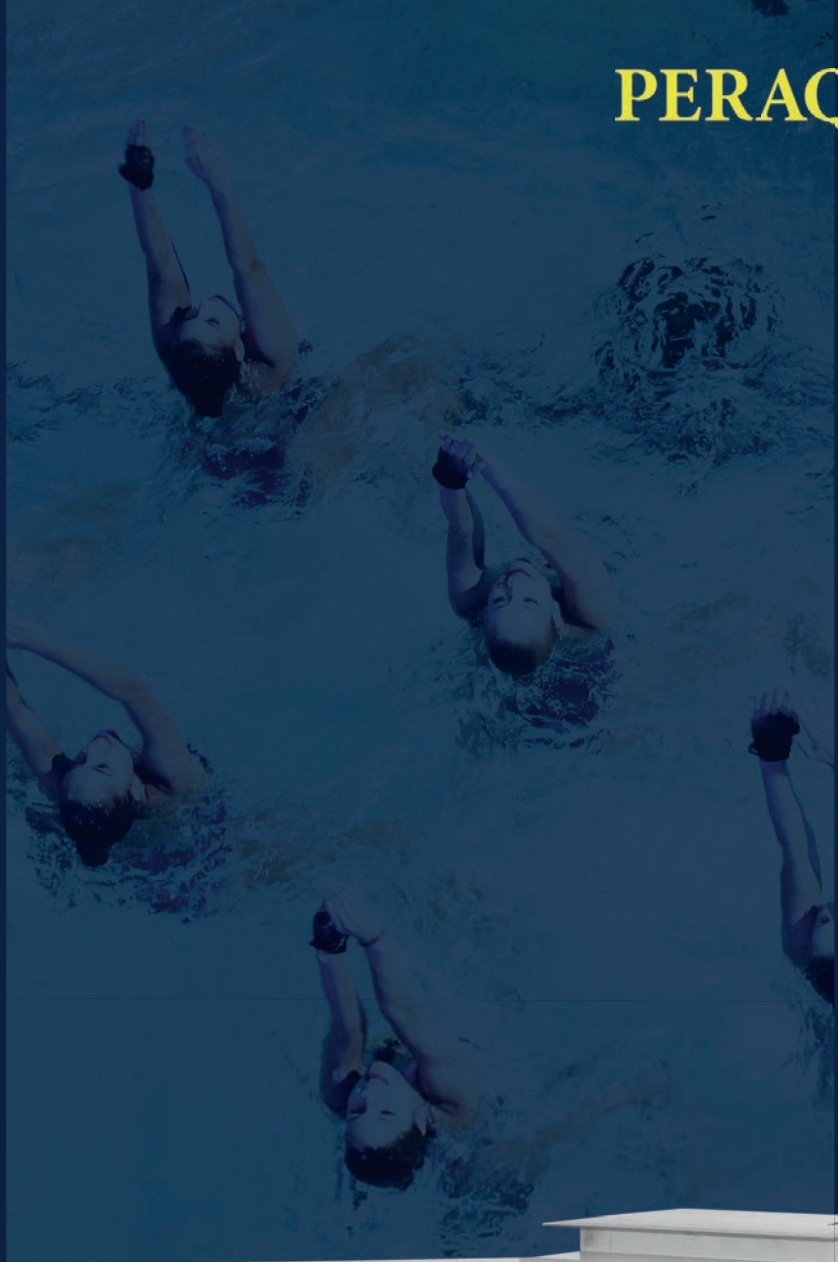


ocean **smart** WHITE GOODS ABS & V4A



BUILT IN
FOR
LONG-TERM



ocean

CLEVERLY COMBINED WITH THE SKIMMER DELUXE HIGH75

The very flat design of Peraqua® skimmer extensions allow an impressive low waterline and gives a nearly seamless transition from waterline to pool edge. The unique and flexible modular system enables the individual configuration of design and color of the pool.

The Ocean® Skimmer M5/PT deluxe contains a holder for a level sensor. The control unit and the protective grating are optionally available. In case of low water level the the level sensor, which is connected to a solenoid valve via a controller, fills the pool with water. This avoids a dry running of the pump.

HIGH WATER LEVEL SKIMMER

Ocean® Skimmer M5 deluxe High75, ABS + V4A

high water level up to 4 - 5 cm, square V4A flange cover & V4A extension, high polish, for liner, built-in and concrete pools, suction width 666 cm, incl. sieve basket, holder f. PVC niveau sensor, d50 solvent + 2" female connection
Available in white, grey, black



Smart Skimmer High75 ABS

High water level up to 6-7 cm, Suction width 700 mm, for liner, concrete and built-up pools, incl. sieve basket, R 1½" + 2" female thread connection

Available in white and black



Ocean® Skimmer M5 deluxe High47 ABS + V4A

Extra high water level up to 4-5 cm, square V4A-flange cover & V4A extension, high polish, Suction width 390 mm, for liner, concrete and built-up pools, incl. sieve basket, holder f. PVC niveau sensor, d50 solvent + 2" female connection



Smart Skimmer High50 white ABS

high water level skimmer ABS, for liner and built-up pools, sealing, screw set AISI-316, sieve basket, R1½"+2" female connection, recommended flow rate 5m³/h



Niveau control NC01 plug-in

with time delay switch (from 2-135 sec), incl. magnetic floater for easy installation on Ocean® skimmer M5 and PT, skimmer is equipped with an integrated and adjustable holder for the niveau floater



Ocean® water regulation system

mechanic, ABS, water connection ¾", body connection d63/d50, incl. adjustable floater



SKIMMER DELUXE & ACCESSORIES

M5 or PT

Ocean® Skimmer deluxe, M5 oder PT

for liner, built-up, concrete and tile pools

incl. basket, flange set, Skim Vac, plate d32/38, flange, M5 thread inserts A4 (SS316), screw set, sealing, reduction 2"/1½" and overflow connection d50, incl. notch for PVC niveau sensor - recommended flow rate 8 m³/h - for each 25 m² water surface on skimmer recommended

The niveau sensor is optionally included, the sensor is connected to a solenoid valve via a controller and automatically fills the pool with water.

M5: white
PT: white, black, grey



Niveau sensor in the Skimmer against surcharge

Ocean® protective grating

for Skimmer Ocean® deluxe, against leaves and all other pool contaminations, which might affect the functionality of the PVC solenoid niveau switch NC01. Retrofitting possible



Ocean® wide mouth extension deluxe

25 cm mounting depth, sealings, flange, screw set, for optimal front extension and enlargement of Ocean® skimmer deluxe M5/PT

M5: white, with M5 thread inserts A4(SS316)
PT: white, grey, black, PT self-drilling



Ocean® Skimmer extension deluxe

25 cm mounting depth, sealings, flange, screw set, for optimal front extension of Ocean® skimmer deluxe M5/PT

M5: white, with M5 thread inserts A4(SS316)
PT: white, black, PT self-drilling



Ocean® wide mouth/slanted flange (6°)

25 cm mounting depth, for mounting straight on the sloping pool flange and for front extension and enlargement of Ocean® skimmer deluxe M5/PT

M5: white, with M5 thread inserts A4(SS316)
PT: grey, black, PT self-drilling



Ocean® stainless steel extension High75

V4A, incl. flange, waterline 4,5 cm, Suction width 665,6 mm for ABS Ocean® Skimmer deluxe

Also available as type High75 6° for sloping pool flange



Ocean® stainless steel extension for High47

V4A, incl. flange, waterline 4,5 cm, Suction width 387,6 mm for ABS Ocean® Skimmer deluxe

Also available as type High47 6° for sloping pool flange



Ocean® height extension deluxe

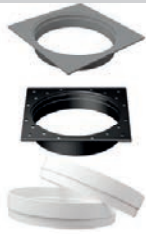
incl. 2 pcs extension rings (Teleskopsystem), square cover for round standard skimmer lids, ABS, white



collar & rings for Ocean® Skimmer deluxe

individual height extension for Ocean® Skimmer deluxe M5/PT

collar: grey, black
rings: white



Ocean® skimmer lid & height extension V4A (SS316)

AISI316/SS316, for Ocean® skimmer deluxe, square 250x250 mm, incl. round cover and height compensation 4,5 cm



Solvent sealing for Ocean® Skimmer deluxe

alternative for the included double lip sealing for Ocean® skimmer deluxe, solvent sealing



frame for Ocean® Skimmer deluxe

Dimensions: 263 x 211 mm

white, grey, black, V4A (SS316)



Wide mouth frame for Ocean® Skimmer deluxe

Dimensions: 466 x 242 mm

white, grey, black, V4A (SS316)



Smart winter plug

1½" EPDM 38 - 51 mm
or
2" EPDM 51 - 63,5 mm



ALL DIMENSIONS AND
INSTALLATION MANUALS AT
SHOP.PERAQUA.COM

ocean®

INLET NOZZLES

deluxe, M5 or PT

Ocean® wall conduit deluxe

PT type for built-up, liner & tile pools, with PT Screw set self-drilling



M5 type for built-up, liner, tile & concrete pools with integrated M5 thread inserts A4 (SS316)

2" female / male thread / solvent d50 mm, incl. 2fixing brackets, holes for reinforcing iron bars and counter nut for the wall formwork



M5 type with A4 thread inserts

Ocean® inlet nozzle deluxe M5, DIN

with ball acc. DIN EN16582, Sealing, Screw set, in combination with wall conduit deluxe M5

white, grey, black



Ocean® Inlet nozzle deluxe M5, Standard

with ball universal type 13/17/21 mm, Sealing, Screw set, in combination with wall conduit deluxe M5

grey



Ocean® Inlet nozzle deluxe PT, DIN

for liner pools, with ball acc. DIN EN16582, Sealing, PT Screw set self-drilling, in combination with wall conduit deluxe PT

white, grey



Ocean® Inlet nozzle deluxe PT, DIN

for concrete & tile pools, with ball acc. DIN EN16582, 2" male threads/ d50, application for direct turn-in, in combination with wall conduit deluxe PT

white



Ocean® Inlet nozzle deluxe M5, DIN, short version

for liner & stainless steel pools, with ball acc. DIN EN16582, Screw set, 2 Sealings, M5 stainless steel thread inserts, solvent connection d50/63, set

white



Ocean® Inlet nozzle deluxe PT, DIN, short version

for liner & stainless steel pools, with ball acc. DIN EN16582, PT Screw set self-drilling, 2 Sealings, solvent connection d50/63, set

white, grey

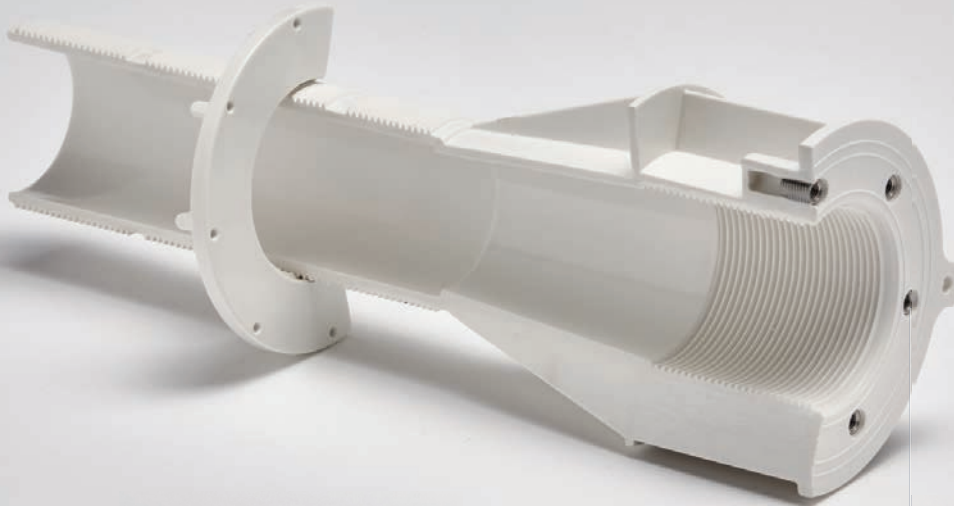


Ocean® Inlet nozzle PT, Standard, short version

for liner & stainless steel pools, with ball universal type 13/17/21 mm, Screw set, 2 Sealing, PT Screw set self-drilling, solvent connection d50/63, set

grey, black





ocean

THE DIVERSE WORLD OF THE OCEAN® WHITE GOODS

The unique modular system enables the precise configuration of design and color of your pool components exactly according to customer wishes and is optimally designed for installation in Ocean® system brick (installation depth = 25 cm).

We offer skimmer plates, extensions, widenings, inlets, V4A frames for floor drains, and much more in the colors black, grey and white. They are perfectly combinable with the matching pool liners, especially with our new touch liners in stone look.

All ABS products from our White Good Range are chlorine, UV, salt water and ozone resistant and comply with the strictest standards and criteria.

M5 VS. PT

THE LITTLE DIFFERENCE



The housing is equipped with high-quality stainless steel inserts A2. Thereby a frame with high quality M5 / A4 screws can be fixed.



In contrast, in PT parts you can screw in directly special developed A2 screws into the plastic housing.

Ocean® Inlet nozzle deluxe DIN, Built-up pools

for Poly-, Vinylester pools, with ball acc. DIN EN16582, flange set, sealing, POM washer, clamp nut, set



white (incl. installation tool)
grey
black

Ocean® plug

for Ocean® inlet nozzles, with O-Ring ABS, male threads 1½"



Ocean® installation tool

key for easy installation of covers of Ocean® inlet nozzles, installation without reducing water level.



Ocean® inlet nozzle cover V4A (SS316)

cover for all Ocean® Inlet nozzles, incl. cover and ball, V4A AISI316, 1½" male thread



Ball DIN:
8 drilling holes á 5 mm,
Ball universal type:
diameter drilling hole 13/18 mm

Cover for Ocean® inlet nozzle PRO „Square“

brushed, DIN V4A AISI 316, suitable for all ABS Ocean® inlet nozzles, V4A incl. cover, ball and spacer ring, 1½" AG
ball holes:
- 8 drilling holes á 5 mm
- Ø 13 mm
- Ø 18 mm



Ocean® floorinlet nozzle

for liner pools, 2" male thread, d5C solvent connection, 2 Sealing, Screw set, flow rate adjustable



Ocean® floor inlet nozzle

for concrete pools, ABS, d63 solvent connection or R2" male threads



ALL DIMENSIONS AND
INSTALLATION MANUALS AT
SHOP.PERAQUA.COM

OCEAN® MAIN DRAINS

M5 or PT

Ocean® Main drain deluxe M5

for built-up, liner, concrete & tile pools, with M5 stainless steel A4 thread inserts & screws, flat cover, 2" female thread, flange screw set, sealing set, max. flow rate 15 m³/h



white

Ocean® Main drain deluxe PT

for built-up, liner, concrete & tile pools, PT screws, flat cover, 2" female thread, flange Screw set, sealing set, max. flow rate 15 m³/h



white, black

Ocean® cover stainless steel

for Ocean® Main drain M5 and PT, V4A (SS316) stainless steel, AISI316, d 222 mm



Ocean® flange

for Ocean® Main drain M5 and PT, ABS, without grid lid



grey

Ocean® grid lid

for Ocean® Main drain M5 and PT, ABS



grey

Ocean® cover „Square“

for Ocean® Main drain M5 and PT, drilling holes d8, V4A stainless steel AISI316, 240 x 240 mm



NEW

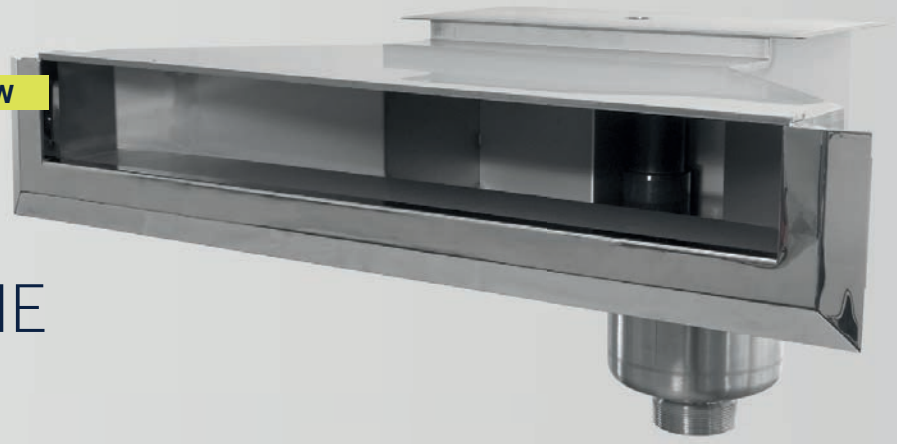
SWIMMING IN GLEAMING SHINE

OCEAN® STAINLESS STEEL WHITE GOODS

Puristic, linear design and many practical „extras“ characterize the V4A Ocean® series of built-in parts.

Among other things, the Ocean® V4A offers high water level skimmer series 500 & 700 PRO highest water lines for skimmer pools, as well as an integrated bracket for an automatic level sensor, a d50 overflow ensures operational safety and an integrated refill line d20 for a stable, high water line after the backwashing process.

The skimmer lid can be fixed to the housing with a clip, R 2½“ internal thread outlet ensures a proper flow and thus broad surface cleaning, the unique V4A frame is an unmistakable design element in your pool and is ideal for the square Ocean® inlet nozzles. Both product lines can be supplied with a matt (square) or polished (round) surface. The assembly of the round or square Ocean® V4A nozzles can be carried out using the ABS or V4A Ocean® wall ducts.



V4A WHITE GOODS

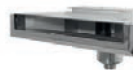
Ocean® high water level skimmer stainless steel V4A High500

for liner, polyester and concrete pools, with overflow d50 and integrated holder for niveau regulation, with lid, stainless steel basket, suction width 460 mm, connection 2“ female and 2½“ male



Ocean® high water level skimmer stainless steel V4A High500 PRO

for liner, polyester and concrete pools, with overflow d50 and integrated holder for niveau regulation, with lid, stainless steel basket, suction width 460 mm, connection 2“ female and 2½“ male



Ocean® high water level skimmer stainless steel V4A High700 PRO

for concrete, liner and build-up pools with lid, with overflow d50 and integrated holder for niveau regulation, stainless steel basket, suction width 660 mm, overflow d50, connection 2“ female and 2½“ male



Ocean® wall conduit V4A PRO

with water stopp and thread, for liner, concrete and tile pools, 2“ female thread



Types:
- l = 250 mm
- l = 300 mm

Ocean® inlet nozzle cover V4A (SS316)

cover for all Ocean® Inlet nozzles, incl. cover and ball, V4A AISI316, 1½“ male thread



Ball DIN:
8 drilling holes á 5 mm,
Ball universal type:
diameter drilling hole 13/18 mm

Cover for Ocean® inlet nozzle PRO „Square“

brushed, DIN V4A AISI 316, suitable for all ABS Ocean® inlet nozzles, V4A incl. cover, ball and spacer ring, 1½“ AG ball holes:
- 8 drilling holes á Ø 5 mm
- Ø 13 mm
- Ø 18 mm



Ocean® main drain V4A PRO

polished, d150 mm, for liner, concrete and tile pools, 2“ female thread, with ground connection



Ocean® main drain V4A PRO „Square“

brushed, 150x150 mm, for liner, concrete- and tile pools, 2“ female thread,



ALL DIMENSIONS AND INSTALLATION MANUALS AT SHOP.PERAQUA.COM

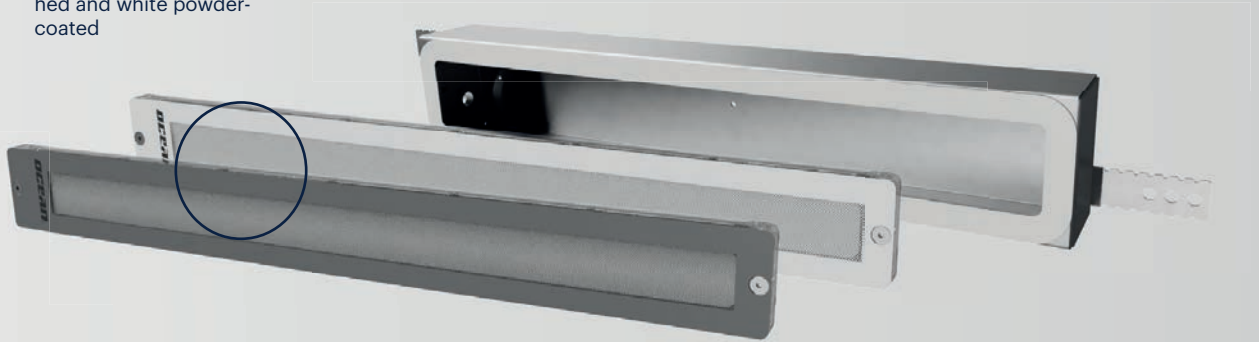
NEU

OCEAN® V4A UNDER WATER LIGHTING

The high-quality and modern design of the stainless steel Ocean® spotlights made in Austria underlines the character of a classy pool concept.

The new underwater lights are designed for easy installation. The RECTANGULAR series is installed using fastening bolts and the SQUARE series using an innovative, magnetic mounting system.

In the versions V4A brushed and white powder-coated



Specially developed mounting brackets for mounting in the Ocean® system brick or PP-pools



MAGNETIC & CONCISE

The new Ocean® spotlight SQUARE is installed in the pool with a unique, magnetic mounting system. The design was constructed in a way the headlights can be integrated concise into the pool wall.

UNDER WATER LIGHTS

LED/RGB and accessories

Ocean® under water light complete sets **Square**

NEW

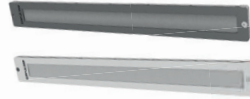
RGBW LED, for liner-, concrete-, tile and stainless steel pools, innovative magnetic mounting system, 110x110mm, approx. 2500 lumen, incl. 15m cable, incl. flange set, with flush inground housing, Types:
- brushed
- powder coated



Ocean® under water light complete sets **Rectangular**

NEW

RGBW LED, for liner-, concrete-, tile and stainless steel pools, 60x570mm, approx. 2200 lumen, incl. 15m cable, incl. flange set, with flush inground housing, Types:
- brushed
- powder coated



Ocean® control box DMX compatible

for under water light Square and Rectangular. Can be equipped with up to 4 channels, body IP specified. 1 additional channel incl., ex works with plug, 350mA, 24V, 100W, power adapter inside



Ocean® wall conduit V4A für under water light **Square**

inkl. Befestigungslaschen zur Fixierung im Ocean® Brick Schalstein, einzigartiges magnetisches Befestigungssystem, Kabeldurchführung mit ¼ Innengewinde, Verrohrung mit dem entsprechenden Praher/IBG® Fitting und FlexSchlauch



Ocean® wall conduit V4A für under water light **Rectangular**

inkl. fastening flaps for clean and quick installation. Cable connection with ¼ female thread, piping with the corresponding Praher-IBG fitting and flex hose



Ocean® DMX interface incl. remote control

for under water lights Square and Rectangular. Remote control with touch colour wheel. Easy installation and implementation, installed in it's own box



Adagio Pro 17/10/5 **RGB**

Pro 17: 3.000 lm, 75 W, up to 50.000 h Lifespan, Ø 170 mm

Pro 10: 1.700 lm, 45 W, up to 50.000 h Lifespan, Ø 100 mm

Pro 5: 400 lm, 10 W, up to 50.000 h Lifespan, Ø 50 mm

11 different colours, dimmable, incl. 4 m 2-pole cable with junction



Adagio Spectra 17/10/5 **RGB**

Spectra 17: 900 lm / 1600 lm, 13,5 W / 24,5 W, Ø 170 mm

Spectra 10: 850 lm, 13,5 W, Ø 100 mm

Spectra 5: LED RGB 250 lm, 4,5 W, Ø 50 mm



Adagio 17 + 10 + 5 cm light covers

Adagio covers are available in colours:
V4A Stainless Steel (SS316), white, sandwhite, light grey, light blue, blue, black

more colours on request, optimal colour matching with Ocean® deluxe swimming pool liners



Adagio Pro 17/10/5 **white**

Pro 17: 5.000 Kelvin, 5500 lm, 60 kW, Ø 170 mm

Pro 10: 5.000 Kelvin, 2600 lm, 30 W, Ø 100 mm

Pro 5: 5.000 Kelvin, 600 lm, 6 W, Ø 50 mm

Adagio Pro 17/10/5 **warmwhite**

Pro 17: 3.000 Kelvin, 4950 lm, 60 W, Ø 170 mm

Pro 10: 3.000 Kelvin, 2350 lm, 30 W, Ø 100 mm

Pro 5: 3.000 Kelvin, 540 lm, 6 W, Ø 50 mm

Adagio Spectra 17/10/5 **white**

Spectra 17: 1.400 lm / 2.800 lm, 15 W / 24,5 W, Ø 170 mm

Spectra 10: 1.300 lm, 13,5 W, Ø 100 mm

Spectra 5: 350 lm, 4,5 W, Ø 50 mm

Remote control for Adagio Pro, Spectra & Moonlight

without transformer

for functions OFF/ON and colour regulation for Adagio RGB MULTICOLOUR, operating distance 40-100 m, (without transformer, incl. hand transmitter, input 12 V AC)



Remote control for Adagio Pro, Spectra & Moonlight

with transformer

for function OFF/ON and colour regulation for Adagio RGB MULTICOLOUR, incl. hand transmitter, operating distance 40-100 m, also for Moonlight (with transformer 200 VA, input 230 V AC/ output 12 V AC max 200 W)



Adagio Pro remote control

with transformer

DMX512 and RS-485 connection, incl. 1 hand transmitter (with transformer 300 VA), dimming function

Hand transmitter as spare part available



UNDER WATER LIGHTS

LED/RGB and accessories

Moonlight RGB Multicolor / White

with installation clamps for all common light brands and all common 300 W light frames, niches for retrofitting, optional with remote control, IP68, input voltage 8 V AC-14 V AC, 4 m, cable 2-wire, 16 colours

RGB type:

15 W, 575 lm
21 W, 925 lm
25 W, 1450 lm

White type:

16 W, 1250 lm
19 W, 1850 lm
28 W, 2100 lm

We recommend Moonlight V4A stainless steel cover



Adagio Pro wall conduit, short

for liner and concrete pools ABS, short design, hose connection 25 mm, thread connection inside



Adagio Pro wall conduit, long

for liner and concrete pools ABS, long design d50, with female threa, thread connection inside



Adagio Pro wall conduit

for polyester/vinylester pools, PP pools, etc. ABS, with lock nut and female thread, thread connection inside



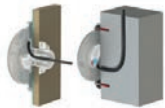
Adagio Pro wall conduit Stainless Steel

for Stainless Steel pools V4A stainless steel, with female thread, thread connection inside



Moonlight installation set

incl. cover white (without lamp)



Transformer TORO DIN

220-230 V IN, 12 V AC OUT, acc. DIN

150W / 350W / 700W



Transformer TORO IP64

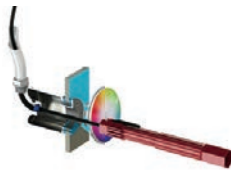
220-230 V IN, 12 V AC OUT, IP64, with plastic housing

150W / 350W / 700W



Installation set

for Adagio wall conduits



Ocean® under water light M5 deluxe, 300W - 12V

ABS body, 300W-12V PAR 56 bulb (162,5 lumen), 1 m cable protection hose, 2,50 m HO7RN-F 2 x 4 cable, corrosion free, chem. resistance, IP68 protection code, sealings, screw set, change of bulb without lowering of water level, illumination area: ~ 16 m² installation distance: ~ 4 m depth: 65 cm from above pool floor



Ocean® under water light M5 deluxe, 300W - 12V

incl. 18x Stainless Steel inserts & 25mm screws for liner pools, ABS 300W 12V, flange set, for polyester pools we recommend 35 mm screws



Ocean® electrical junction box

junction box made of strong, white ABS material. This junction box is compatible with all under water lights, with square lid, with O-ring and four stainless steel screws. UV-resistant and chem. resistance



Ocean® under water light M5 deluxe, 300W - 12V

With stainless steel cover, for liner pools incl. 2x Stainless Steel thread inserts A4 (SS316), ABS 300W 12V with flange set, 2,50 m cable, 1 m cable protection hose



Ocean® under water light PT

for retro fitting incl. halogen lamp 100 W-12 V or 50 W-12 V, ABS, 2,5m cable, 1 m flexible cable protection hose, glass protection, IP68, UV protectoin, illumination area/light: ~ 10 m², installation distance: ~ 2 m, depth: 65 cm from above pool floor



Transformer for 50W - 600 VA

recommended for Ocean® under water light, 12 V

50W / 100W / 300W / 400W / 600W



Transformer for Smart Magic LED

Transformer 100VA for Smart Magic LED under water light 230VAC - 12VAC



Wall conduit for Smart Magic Round 13 LED, long version

Wall extension long for Smart Magic Round 13 LED underwater spotlight for liner pools, for changing the lamp without draining of the pool water, cable can stay in the cable gland



FAMILY, SPORT, RELAXATION – THERE IS LIFE IN A POOL.



PERAQUA®

A POOL FULL OF LIFE

It is our highest permission to enrich every pool with creative, perfect fitting, affordable and durable pool technology. Our focus is on the maximum ease of use, safety, cleanliness and sustainability of the selected technology for your pool projects.

Tailored to the digital age, you can choose between fully automatic pool control systems based on WIFI connection or manual control systems in **Peraqua® Quality**.

Our mission is to implement Peraqua® & Praher Top Quality in all areas of sales, marketing, service, logistics, training, repair, and after-sales services with the best dedication.

PERAQUA®

**Peraqua Professional
Water Products GmbH**

Handelsstraße 8, 4300 St. Valentin

T. +43 7435/58488-0
info@peraqua.com



shop.peraqua.com

PERAPLAS DEUTSCHLAND GMBH

Regensburger Ring 12, 91154 Roth
T. +49 9171 9677-1200, F. +49 9171 9677-2209
office.de@peraplas.com

PERAPLAS ČESKO s.r.o.

25101 Říčany-Jažlovice, Zděbradská 62
T. +420 323 63 76-73, F. +420 323 63 76-72
office.cz@peraplas.com

Member of **PRAHER
GROUP**