

HOUSE OF

# DURATECH

innovative pool products

## Manual

PLS300B  
PLW300B  
PLS700B  
PLW700B  
PLS400B  
PLW400B



23-09-21

**VISION Moonlight**

## Table of contents

Technical & General specifications	P 3
Box contents	P 4
Installation instructions	P 5
Retrofit with PAR56 niche	P 6
16 color programs (only for RGB lamps)	P 7
Operation	P 7
Wiring instructions Setup 1	P 8
Wiring instructions Setup 2	P 9
Troubleshooting	P 10

**DURAVISION**

## Technical specifications

Reference	Description	Color	Light output	Power	Nominal CCT
PLS300B	Bulb only	RGB	800 lm	13 W	All colors
PLS400B	Bulb only	RGB	1550 lm	23 W	All colors
PLS700B	Bulb only	RGB	2200 lm	33 W	All colors
PLW300B	Bulb only	White	1350 lm	14 W	9000K
PLW400B	Bulb only	White	2400 lm	23 W	9000K
PLW700B	Bulb only	White	3500 lm	35 W	9000K

Beam Angle	120°
Diameter Optic	170 mm
Nominal input Voltage	12 VAC
Life time hrs	> 25.000 h
Power factor	> 0,73

 For operation only with a safety isolation transformer

## General specifications

4m non detachable rubber cable included

Maximum water temperature

+35°C

(Lamps have to be kept out of ice zones)

Ingress Protection Rate

IP68

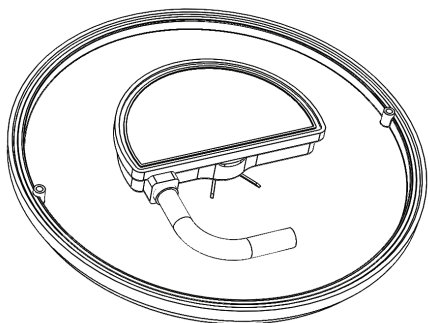
(measured at 1m)



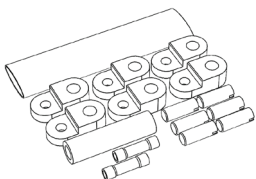
*Moonlight Pool lamps must be completely submerged into water during operation. Not doing so, will void warranty.*

Optional: Stainless steel faceplate PZM170-RV-SS

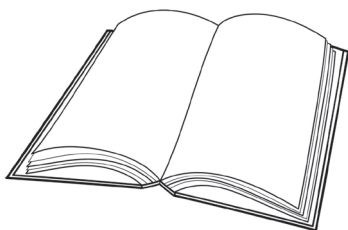
## Box contents



VISION Moonlight lamp



Retrofit kit



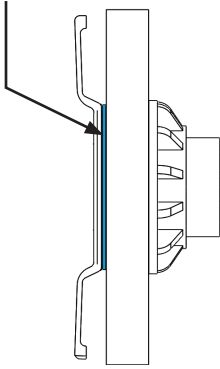
Manual

# Installation instructions

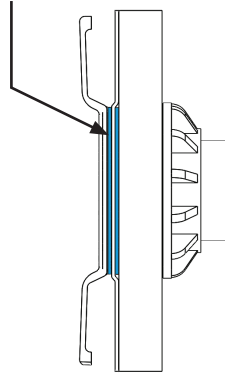
No liner: Use 1 gasket

With liner: Use 2 gaskets

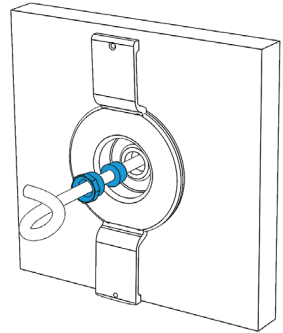
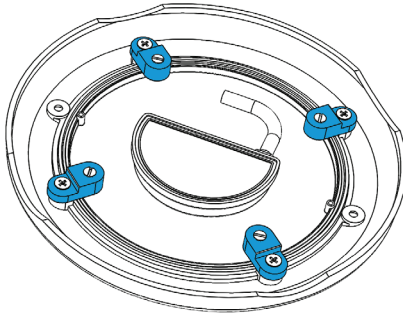
1



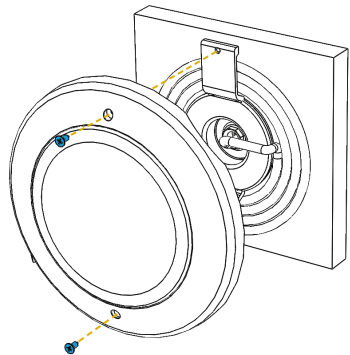
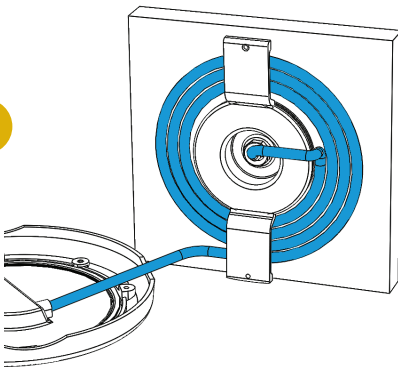
OR



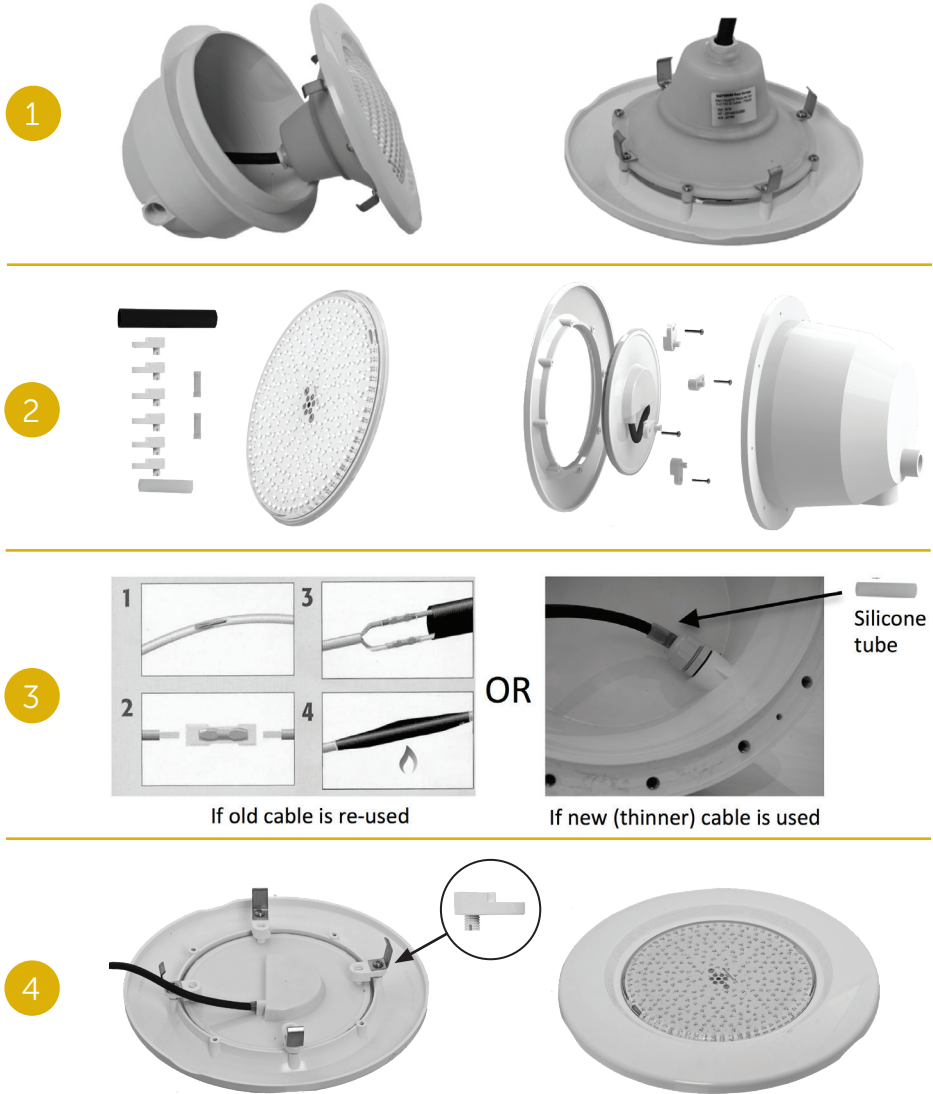
2



3



# Retrofit with PAR56 niche



## 16 Color programs (only for RGB lamps)

①	SUN WHITE	warm white
②	RED	fixed color red
③	GREEN	fixed color green
④	BLUE	fixed color blue
⑤	GREEN-BLUE	fixed color green-blue
⑥	RED-GREEN	fixed color red-green
⑦	BLUE-RED	fixed color blue-red
⑧	EVENING SEA	slow animation red-blue
⑨	EVENING RIVER	slow animation red-green
⑩	RIVIERA	slow animation green-blue
⑪	NEUTRAL WHITE	cold white
⑫	RAINBOW	slow animation blue-red-green
⑬	RIVER OF COLORS	program 12, followed by program 15
⑭	DISCO	fast animation
⑮	FOUR SEASONS	slow animation red-blue-green-violet
⑯	PARTY	fast animation

## Operation

### Synchronizing multiple lamps:

1. All lamps need to be connected to the same transformer
2. Turn the lamps ON for a few seconds
3. Turn them OFF for MINIMUM 12 seconds, then switch back ON
4. Change the color 2 times. Now they are synchronized

### Changing colors:

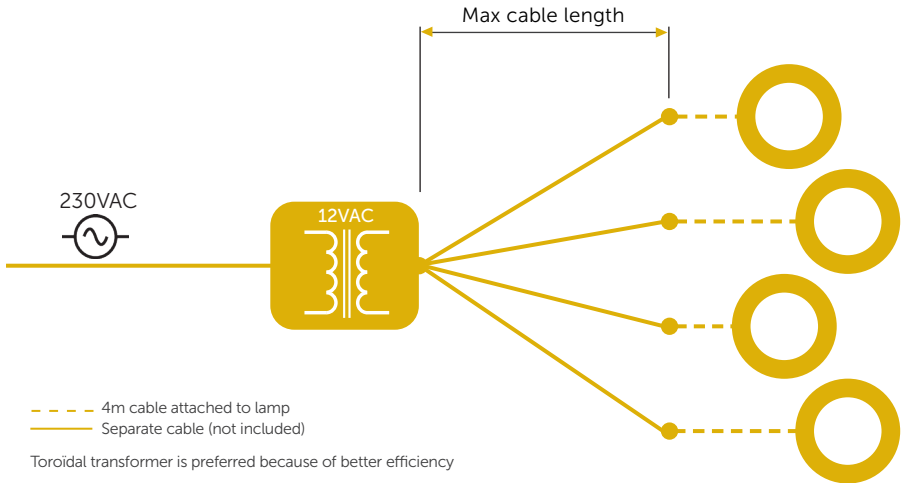
Turn the lamps OFF and quickly back ON (max 10 sec OFF)  
Or use our optional remote controllers PL-REM(-60, -200).

### Memorizing the last color:

1. Select the desired color
2. Turn the lamps OFF for MINIMUM 12 seconds
3. The chosen color has now been memorized

# Wiring instructions Setup 1

Each lamp is connected to the transformer by a separate cable (Preferred for new installations)



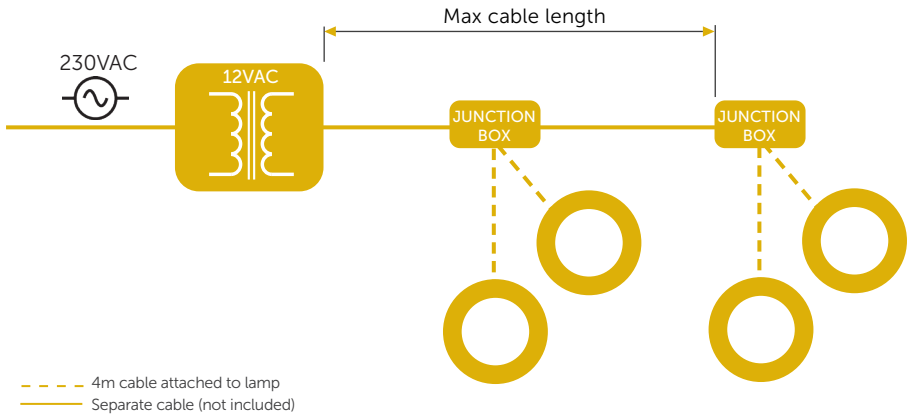
LAMP TYPE	MAX CABLE LENGTH BY CABLE SECTION					VA TRANSFORMER (12VAC) *
	1,5 mm <sup>2</sup>	2,5 mm <sup>2</sup>	4,0 mm <sup>2</sup>	6,0 mm <sup>2</sup>	10,0 mm <sup>2</sup>	
PLS300B	55m	95m	155m	200m	350m	17
PLS400B	30m	55m	85m	130m	200m	30
PLS700B	20m	35m	60m	90m	155m	43
PLW300B	55m	90m	145m	200m	350m	18
PLW400B	30m	55m	85m	130m	200m	30
PLW700B	20m	35m	55m	85m	145m	46

\* The transformer VA rating must be greater or equal to the sum of VA ratings of all connected lamps. These cable lengths are calculated with worst case voltage drops in the electrical wiring.



# Wiring instructions Setup 2

All lamps are connected to the transformer via 1 cable



Toroidal transformer is preferred because of better efficiency

LAMP TYPE	QTY LAMPS	MAX CABLE LENGTH BY CABLE SECTION				VA TRANSFORMER (12VAC) *
		2,5 mm <sup>2</sup>	4,0 mm <sup>2</sup>	6,0 mm <sup>2</sup>	10,0 mm <sup>2</sup>	
PLS300B	1	95m	155m	200m	350m	17
	2	48m	78m	100m	175m	34
PLW300B	3	32m	52m	67m	117m	51
	4	24m	39m	50m	88m	68
PLS400B	1	55m	85m	130m	200m	30
	2	28m	43m	65m	100m	60
PLW400B	3	18m	28m	43m	67m	90
	4	14m	21m	33m	50m	120
PLS700B	1	35m	60m	90m	155m	43
	2	18m	30m	45m	78m	86
PLW700B	3	12m	20m	30m	52m	129
	4	9m	15m	23m	39m	172

\* The transformer VA rating must be greater or equal to the sum of VA ratings of all connected lamps. These cable lengths are calculated with worst case voltage drops in the electrical wiring.

# Troubleshooting

## PROBLEM

The Pool light is flickering or lights up faint

## SOLUTION

- Check the output voltage at the transformer terminals. This voltage should be between 12VAC and 13VAC. Verify that the used transformer VA rating is sufficient for powering all connected lamps
- Verify if the cables that are used to connect the lamps to the transformer are correctly dimensioned (see tables p. 8-9)
- Check if there are no bad contacts or interruptions in the cables.

---

Several pool lights in the pool show different color programs

Make sure that all lamps are connected to the same 12VAC power line. Execute the synchronization procedure as explained on page 7.

## **Declaration of Conformity**

Declarations of conformity covering this product are available for download from the House of DURATECH website: [www.duratech.be](http://www.duratech.be)

HOUSE OF  
**DURATECH**  
 innovative pool products

**DURAVISION**

**Pool Light** products

- VISION Moonlight
- VISION Spectra
- VISION Adagio Pro
- VISION Pro
- VISION Allegro
- VISION Wall Conduits
- VISION Face Plates
- VISION Specials

**DURAHEAT**

**Heat Pump** products

- HEAT Hot Splash
- HEAT Sun Spring
- HEAT Dura V
- HEAT Dura Vi
- HEAT Dura +i
- HEAT Dura Pro
- HEAT Accessories

**DURAFLOW**

**Pool Flow** products

- FLOW Inverter
- FLOW Cartridge Filter
- FLOW Vortex

**DURACOVER**

**Cover System** products

- COVER Tube
- COVER Motor
- COVER Wall Duct
- COVER Cable Duct
- COVER Hanging System

**DURALINK**

**Control** products

- LINK Driver
- LINK Touch
- LINK Controller
- LINK Cover
- LINK Master
- LINK Accessoires

## Contact details

**Propulsion Systems BV**  
 Dooren 72  
 1785 Merchtem, Belgium

Tel +32 2 461 02 53

[www.duratech.be](http://www.duratech.be)  
[info@propulsionsystems.be](mailto:info@propulsionsystems.be)



**DURAVISION**



We reserve the rights to change all or part of the contents of this document without prior notice