

TECHNICAL DATA SHEET

POLYESTER SAND FILTER



Polyeste Sand Filter

VIENNA

laminated



POLYESTER SAND FILTER VIENNA



With original Praher 7-position backwash valve (manual), incl. glued piping set, transparent filter lid, man hole 17.5 cm, manometer, manual aerating, neutral single packing, drain valve, 3 years guarantee for filter and valve body.

FEATURES

Filter manufactured by spraying up of resin polyester and fiberglass

Filter colour RAL 9017

AISI 316 screws

Incl. 6-fold filter star

1/4" air and water drain

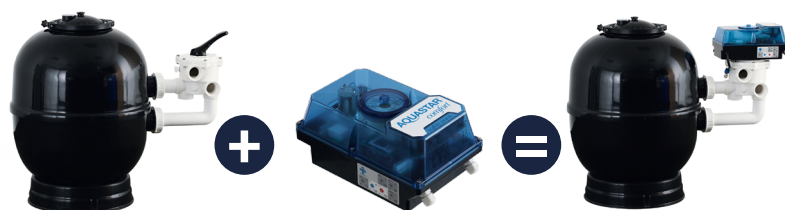
Large transparent lid 250 mm

Max. temperature: 40 °C

Max. operation pressure: 2.5 bar

On request available without Praher backwash valve set. Personalized colours and labels for a minimum order quantity of 100 pcs against surcharge.

AUTOMATIZATION WITH THE AQUASTAR SERIE



FILTER DETAILS



Filter star 6-folded



Transparent lid



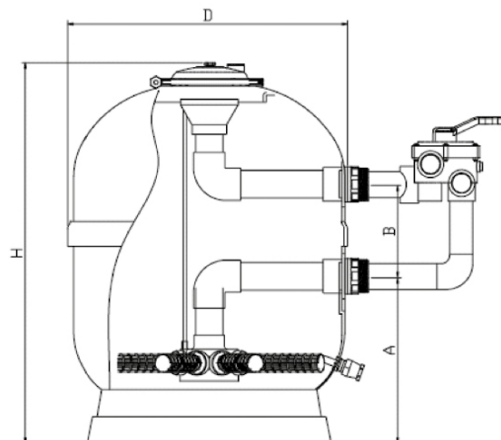
conical diffuser



INFORMATION

Create your own fully automatic pool filter.

Select from the wide range the filter dimension and the Aquastar model you need. We install the original Praher 7-position backwash valve included in the filter set. Of course all Aquastar models can be delivered with the matching piping sets for all common filter brands for retro-fitting and automatization of your manual filter system.



TECHNICAL DETAILS

PROD.NO.	77364	77365	7300165	77366	77367
D mm (model)	500	600	600 (*)	750	900
H mm	805	850	850	985	1050
A mm	290	330	330	325	400
B mm	125	125	125	230	230
connection	1,5"	1,5"	2" (*)	2"	2"
filtration area m ²	0,19	0,3	0,3	0,44	0,64
filtration volume m ³ /h/m ²	50	50	50	50	50
flow rate m ³ /h	10	14	14	22	32
sand kg	75	125	125	250	275
granular size 0,4 - 0,8 mm	25 kg	25 kg	25 kg	50 kg	25 kg
0,7 - 1,25 mm	50 kg	75 kg	75 kg	100 kg	125 kg
1,0 - 2,0 mm		25 kg	25 kg	75 kg	75 kg
2,0 - 4,0 mm				25 kg	75 kg
pool volume up to m ³	72	112	112	168	240
max. operation pressure	2,5 bar	2,5 bar	2,5 bar	2,5 bar	2,5 bar
gross weight kg	20	25	25	33	51
packing volume m ³	0,27	0,36	0,36	0,60	1,01

(*) better flow rate and pressure loss values using a 2" valve

PACKAGING

MODEL	500	600	600	750	900
box (cm)	56 x 56 x 85	65 x 65 x 86	65 x 65 x 86	80 x 80 x 93	96 x 96 x 110
packaging (cm)	120 x 120 x 240	129 x 129 x 187	129 x 129 x 187	80 x 80 x 201	120 x 100 x 235
unit per pallet	10	8	8	2	2
gross weight	20	25	25	33	51



SMART POOL TECHNOLOGY
MADE IN AUSTRIA

PERAQUA[®]
pooled family pleasure

..... **HEADOFFICE/EXPORT AUSTRIA**



+43 7435 58488-0 info@peraquacom

..... **SERVICE/LOGISTICS**



+49 91719677 1200 office.de@peraplas.com



+420 3236376-73 office.cz@peraplas.com

.....