



# AQUASTAR<sup>®</sup> *control*

DATASHEET

# AQUASTAR<sup>®</sup> *control*



## GENERAL

1. Automation of the 6-way valves of Praher Plastics Austria GmbH
2. A lifting and rotating actuator with control functions
3. For 1,5", 2" and 3" Valves
4. 24V AC/ DC and 100-265V AC
5. Real RTC with 10 year battery
6. Easy to retrofit
7. Human interface with display and buttons included into the cover
8. Automated backwash trigger
9. Automated pump trigger
10. Level control
11. Temperature- or solar control
12. Error-Handling integrated
13. Relays with gold contacts
14. Configurable relays
15. Configurable digital inputs
16. Protection IP65
17. Emergency handle
18. Optical position indicator
19. Additional position CLOSED
20. Additional position Winter

## APPLICATIONS

- For larger pools (private and hotel) where you don't want to worry about anything
- For medium to small pools, where the control functions of the Aquatar<sup>®</sup> are used
- Can be used for fish farming, car wash sites or other wather treatment systems
- Customer spesific software possible

# TECHNICAL DATAS

## Aquastar

**Voltage:** 24 V AC/DC  
100-240V AC (170 – 300V DC)

**Protection:** IP 65

**Frequency:** 50/60 Hz /DC

**Rated operating current:** 1,5"-2" / 3"  
0,7 / 1A at 24V AC  
0,5 / 0,7A at 24V DC  
85 / 130mA at 230V AC

**Max. Power:** 20W at 1,5"-2" / 30W at 3"

**Environmental conditions:** 0-40°C, 0-95%RH not condensing

**Max static pressure:** 0,3 Bar

**Max water column:** 3 m

## Praher Plastics 6-Way Valve

**Body material:** 1,5" – 2" ABS / ASA-GF  
3" ASA-GF

**Seals:** TPE + NBR

**Maximum operating pressure:** 1,5" – 2" ABS: 3,5 Bar (20C°)  
ASA-GF: 6 Bar (20C°)  
3" ASA-GF: 5 Bar (20C°)

**Maximum pressure when the valve plate is lifting** 0,3 Bar

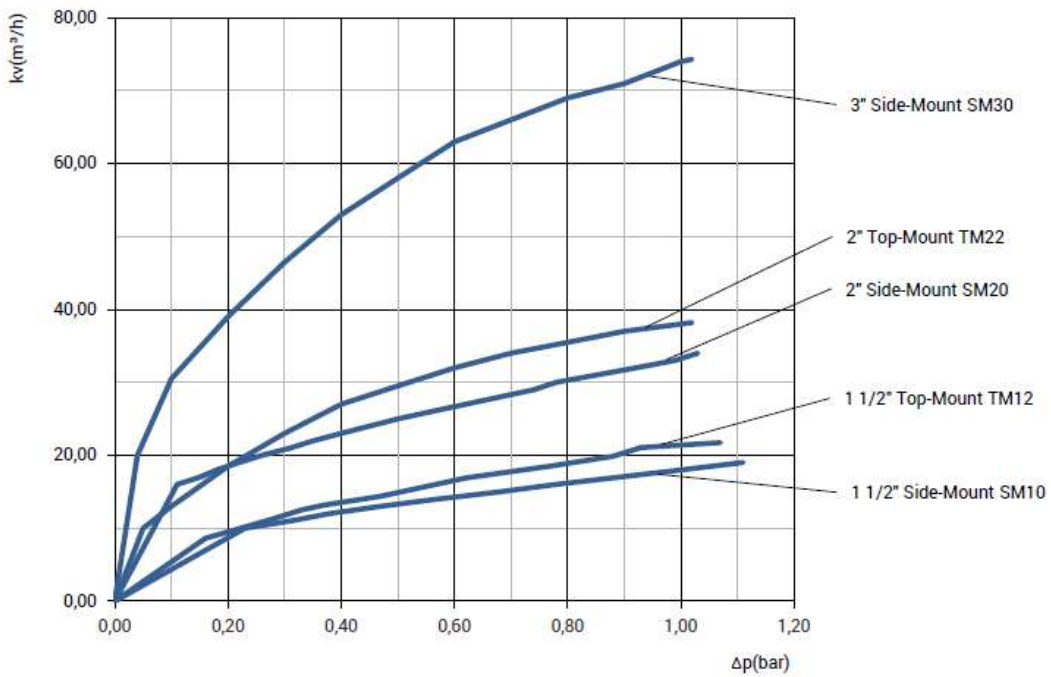
*The Aquastar Control is fully assembled only available in combination with an SM-valve, but it can also be mounted on TM-valves.*

*Even when retrofitting, the Aquastar Control must not be built on a 3" ABS valve.*

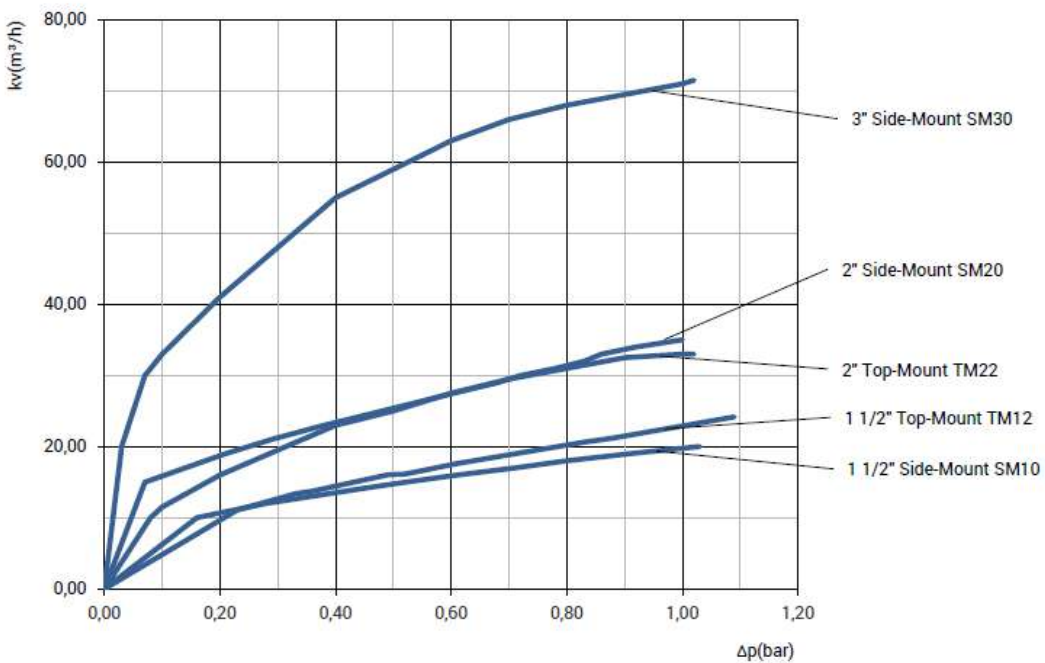
*With 3" an ASA-GF valve is to be used.*

# DIAGRAMS

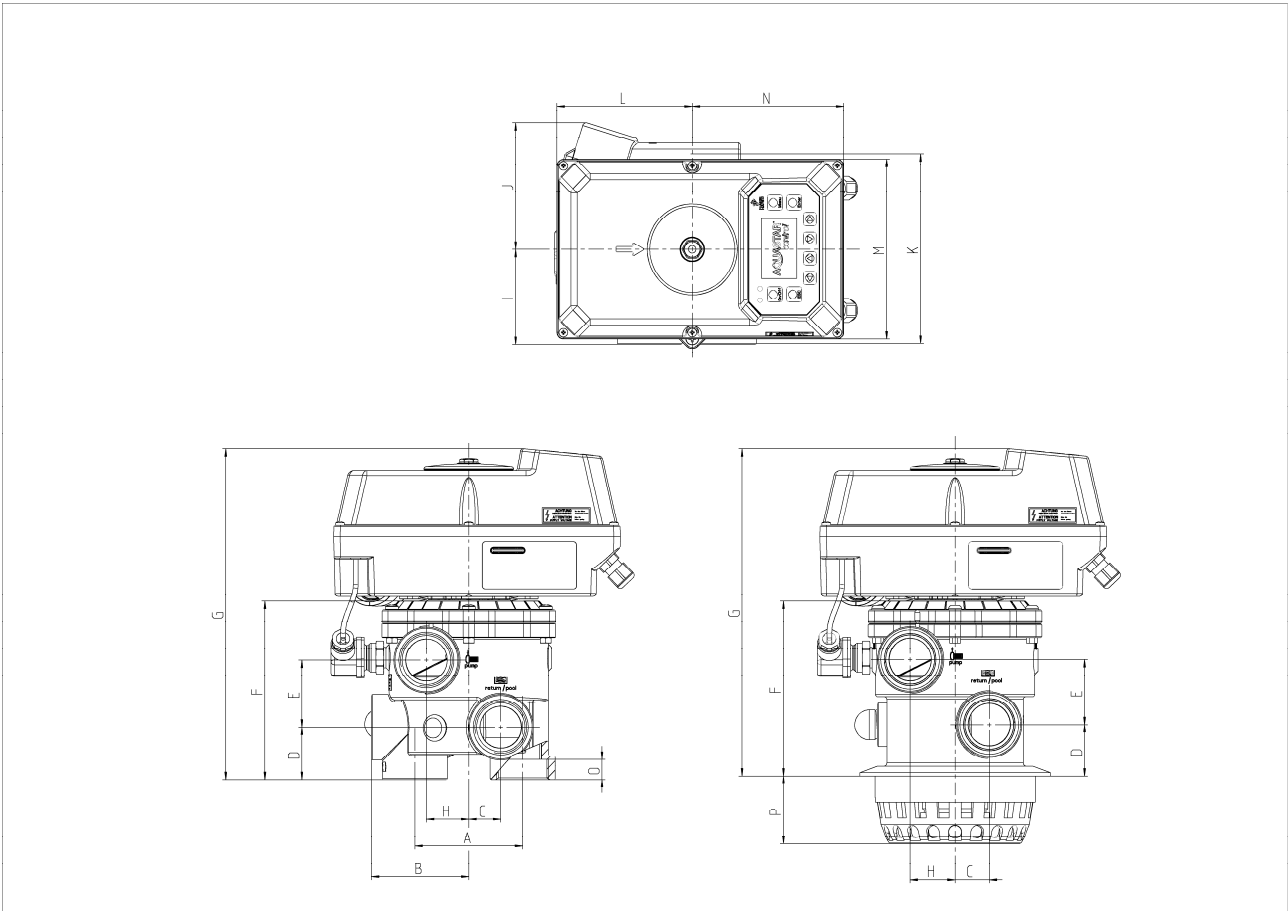
## Pressure loss diagram filter



## Pressure loss diagram backwash



# DIMENSIONS

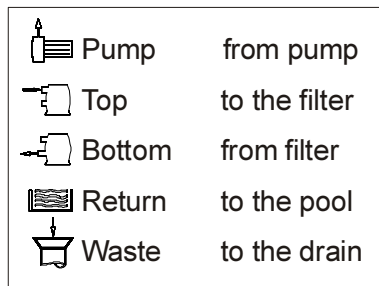
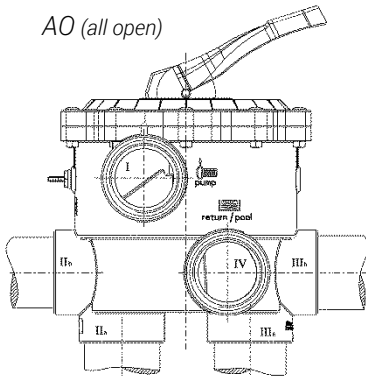
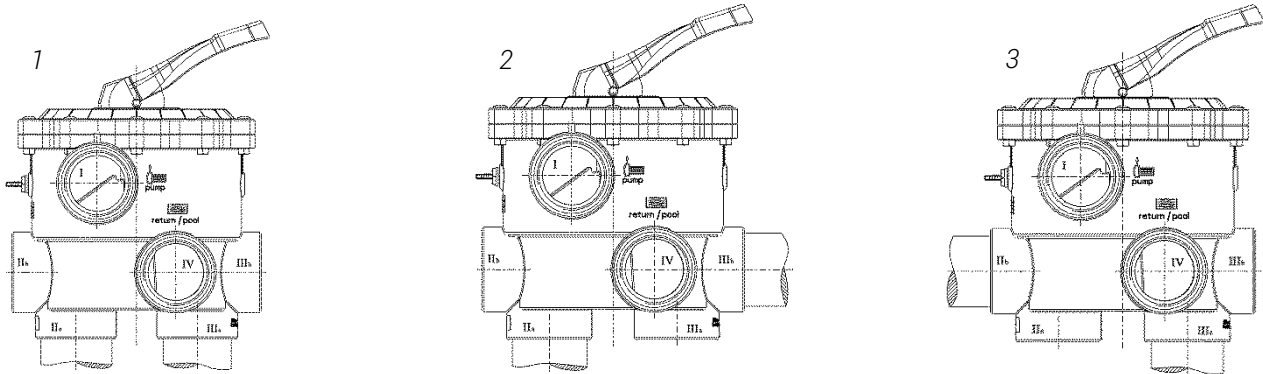


	1 ½" SM	1 ½" TM	2" SM	3" SM
<b>A</b>	99,5	X	110	170
<b>B</b>	90	X	114	165
<b>C</b>	29,5	31,5	38	50
<b>D</b>	48	47	60	85,5
<b>E</b>	61,5	59,5	81	110
<b>F</b>	163,5	160	210	306
<b>G</b>	304	300	348	445
<b>H</b>	39	42,5	36	50
<b>I</b>	87,5	90	114	165
<b>J</b>	117	117	117	117
<b>K</b>	175	180	228	330
<b>L</b>	125	125	125	125
<b>M</b>	165	165	165	165
<b>N</b>	140	140	140	140
<b>O</b>	18,5	18,5	26	35
<b>P</b>	X	62,5	X	X

Dimensions in mm

# VALVE

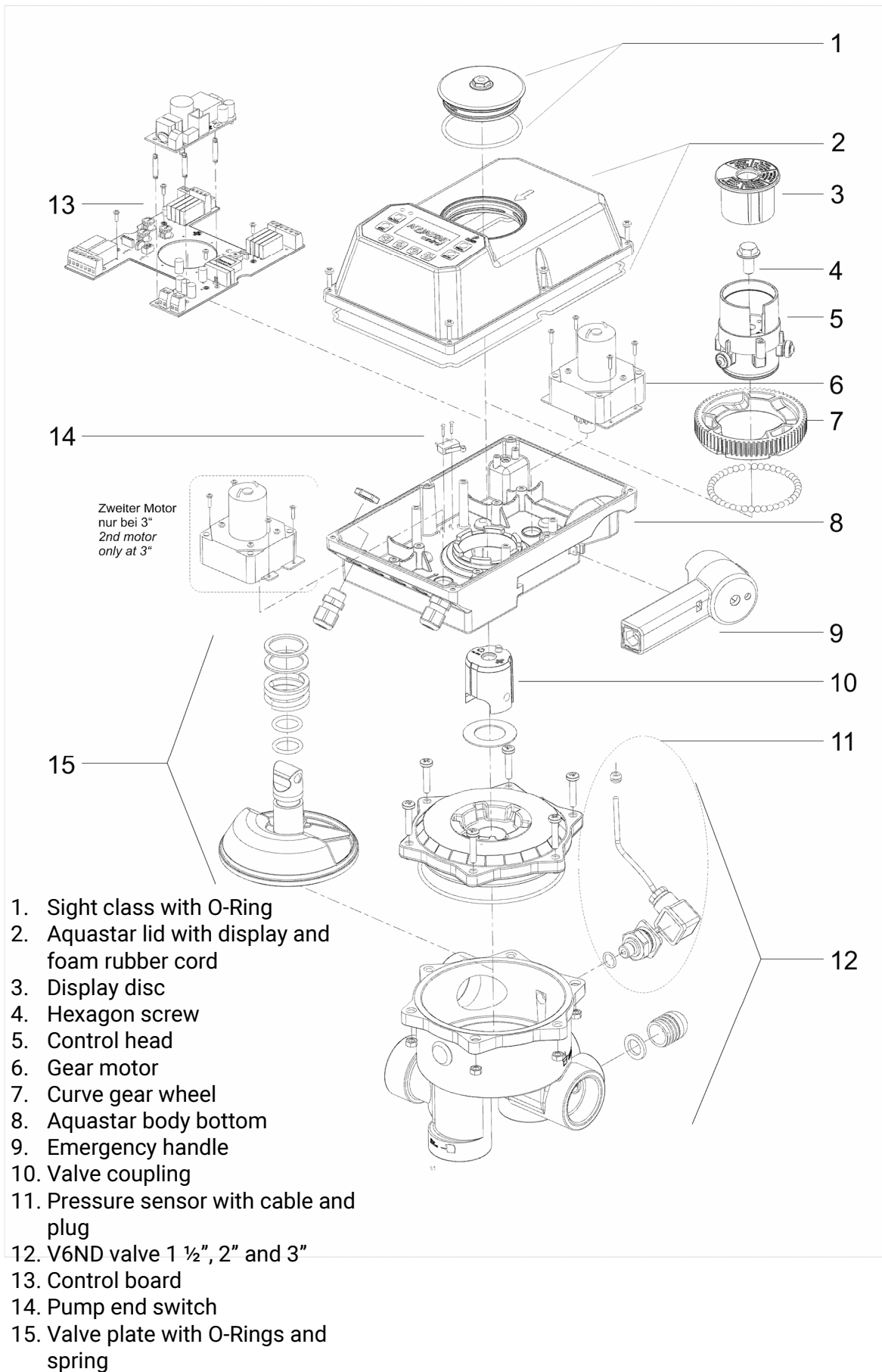
## Variants of SIDE MOUNT 1 1/2", 2" and 3":



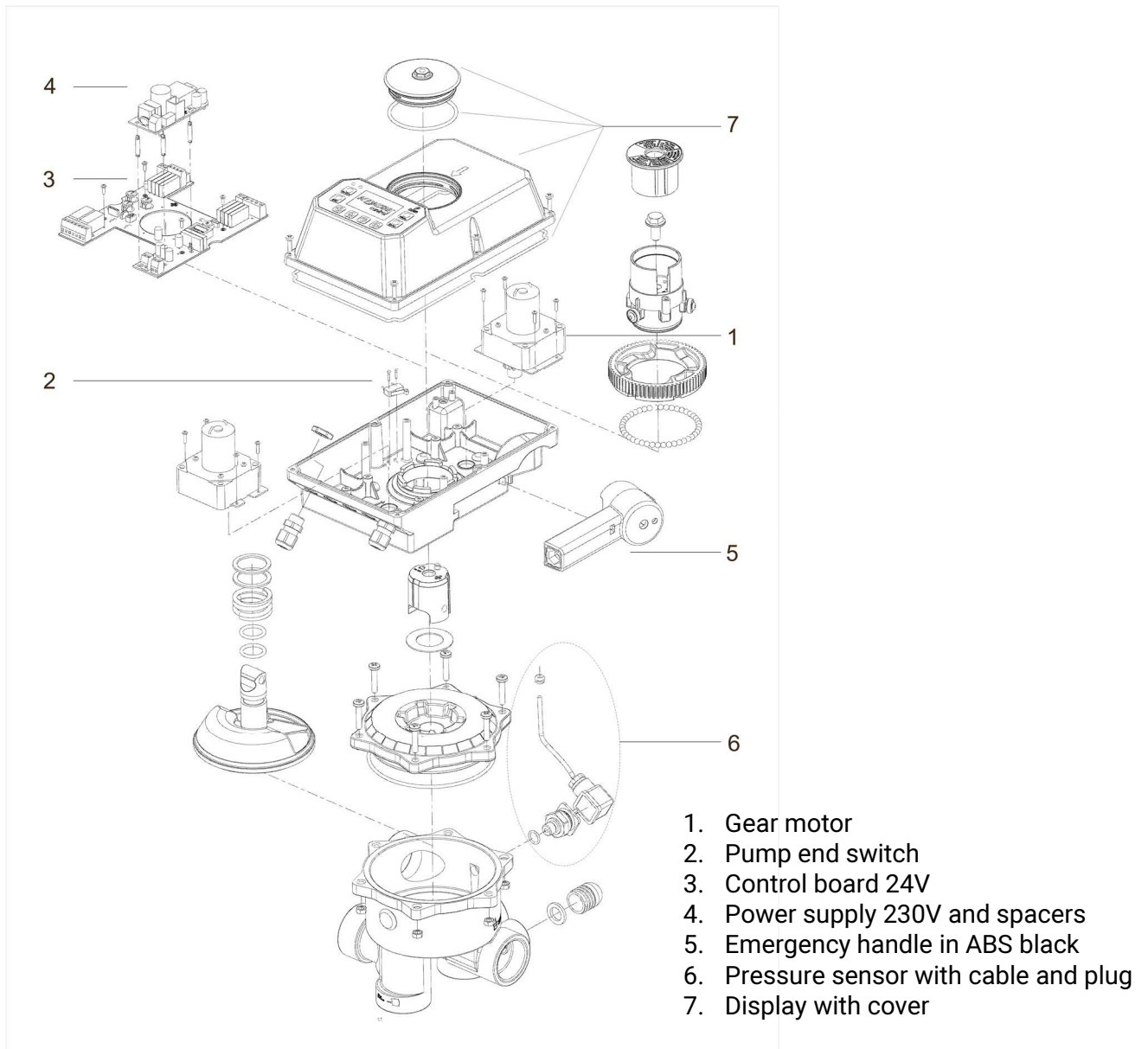
## Function diagram of Praher Plastics Austria 6-way valve

<p><b>1. FILTER</b> filter top</p> <p>pump      drain pool</p> <p>filter bottom</p>	<p>Filtration of medium (e.g. Water)</p> <p>Pool → Pump → Valve (to filter) → Filter → Valve (from Filter) → Pool</p>	<p><b>2. WASTE</b> filter top</p> <p>pump      drain pool</p> <p>filter bottom</p>	<p>Drainage of pool with pump</p> <p>Pool → Pump → Valve → Drain</p>
<p><b>3. CLOSED</b> filter top</p> <p>pump      drain pool</p> <p>filter bottom</p>	<p>No circulation. Do not operate pump</p> <p>Pool → Pump → Valve</p>	<p><b>4. BACKWASH</b> filter top</p> <p>pump      drain pool</p> <p>filter bottom</p>	<p>Cleaning up filter medium (e.g. Sand) in upstream (reversed flow in filter)</p> <p>Pool → Pump → Valve (from filter) → Filter → Valve (to Filter) → Waste</p>
<p><b>5. RECIRCULATE</b> filter top</p> <p>pump      drain pool</p> <p>filter bottom</p>	<p>Recirculate of fluid without filter (Bypass filter)</p> <p>Pool → Pump → Valve → Pool</p>	<p><b>6. RINSE</b> filter top</p> <p>pump      drain pool</p> <p>filter bottom</p>	<p>Cleaning of filter medium (e.g. Sand) after backwash</p> <p>Pool → Pump → Valve (to filter) → Filter → Valve (from Filter) → Waste</p>

# EXPLODED VIEW



# SPARE PARTS

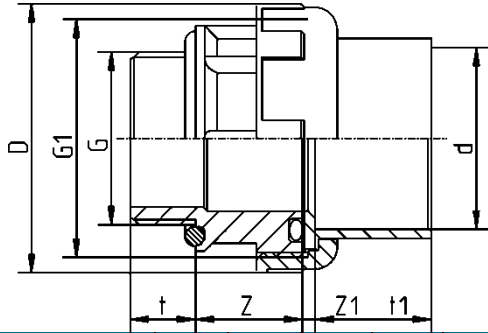


Item number	Product name	Included	Information
131280	Spare part kit for Aquastar - motor 6V DC - Motor	1	1 pcs
131281	Spare part kit for Aquastar - pump switch for 6VDC motor	2	
131XXX	Spare part kit for Aquastar Control - circuit board 230V	3+4	
131XXX	Spare part kit for Aquastar Control - circuit board 24V AC/DC	3	
101862	Emergency handle in ABS black	5	
131450	Spare part kit for Aquastar Control - Pressure sensor	6	
131515	Spare part kit for Aquastar Control - Display with cover	7	



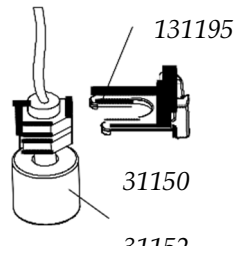
# ACCESSORIES

## OCEAN-adapter unions male thread – solvent socket



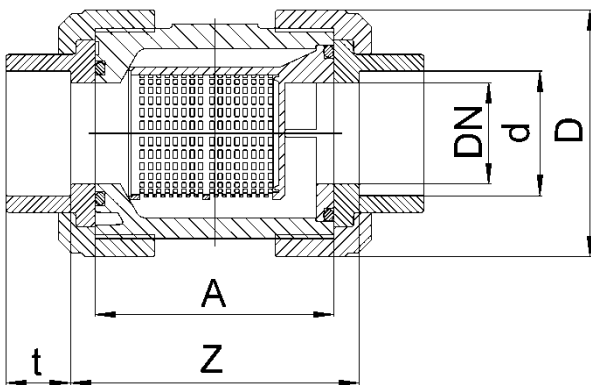
d - D	T	T1	Z	Z1	D	E1
50-1,5" BSP	18	31,5	30	3	74	2 1/4"
48,4-1,5" NPT	18	31,5	30	3	74	2 1/4"
50-2" BSP	23,5	31,5	36	3	92	2 3/4"
63-2" BSP	23,5	38,5	36	3	92	2 3/4"
60,3-2" NPT	23,5	38,5	36	3	92	2 3/4"

## Sensors



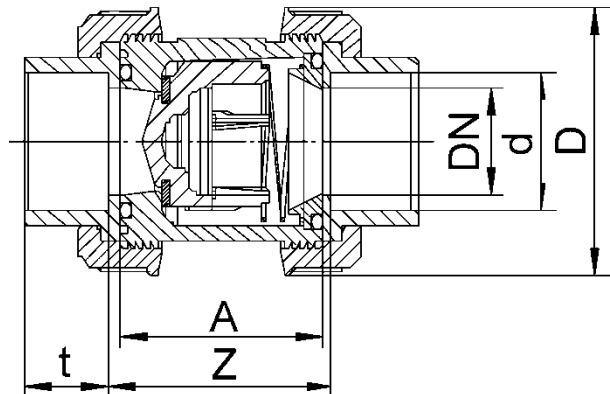
Article Number	Description
131195	Spare part kit for Niveau switch Skimmer Ocean DeLuxe
31150	MINISCHWIMMERSCHALTER 5m connection cable
31152	MINISCHWIMMERSCHALTER 15m connection cable
131450A	Spare part kit for Aquastar Easyll and Control - pressure sensor
131514	Spare part kit for Aquastar Control - temperature sensor

## Line strainer S4



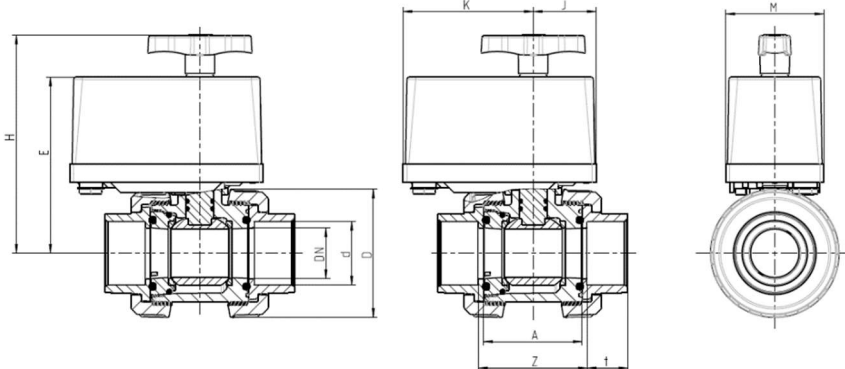
d	DN	A	Z	t	D	PN
50	40	95	104	31,5	101	16
63	50	109	121	38,5	124,5	16

## Check valve S6



D	DN	A	Z	t	D	PN
50	40	77	87	31,5	101,5	16
63	50	87	99	38,5	115,3	16

## PVC ball valve DN32 – DN50 S6 E0510 ECO 230V



PVC	S6		
DN	32	40	50
d	40	50	63
A	77	77	87
D	101,5	101,5	115,3
t	26,5	31,5	38,5
Z	87	87	99
PN	3	3	3
E	138,5	138,5	143,5
H	159	159	164
M	77	77	77
J	49,5	49,5	49,5
K	102,5	102,5	102,5





## **Praher Plastics Austria GmbH**

Poneggenstraße 5  
4311 Schwertberg  
Österreich

T +43 7262 61179-0  
F +43 7262 61203  
sales@praherplastics.com

*© Praher Plastics Austria GmbH  
Zertifiziert nach / certified acc. to  
EN ISO 9001:2015*

*DB/DEEN/23/06/456/B*

*Diese Druckschrift enthält keine  
Gewährleistungszusagen, sondern will lediglich  
eine erste Information vermitteln. Das Programm  
wird ständig erweitert, daher entsprechen die  
Ausführungen und Typen dem Stand bei  
Drucklegung. Technische Änderungen  
vorbehalten!*

*This document contains no warranties, but simply  
conveys initial information. The program is  
constantly expanding and therefore the versions  
and types correspond to the state on the date of  
printing. Subject to technical changes!*



[www.praher-plastics.com](http://www.praher-plastics.com)