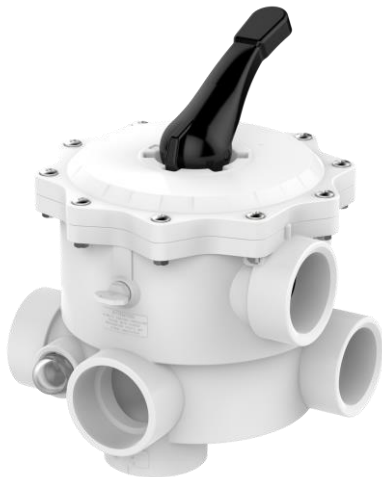


**Product**  
6-way backwash valve



**General:**

- Body material: ABS / ASA-GF
- Seals: TPE + NBR
- Types: Side Mount (SM)  
Top Mount (TM)
- Dimensions:
  - SM 1 ½" / 2" / 3"
  - TM 1 ½" / 2"
- Color:
  - ABS: white / black
  - ASA-GF: nature

**Pipe connection Side Mount:**

- 1 ½" valve
- Solvent socket d50 metric
  - Thread R1 ½" BSP
  - Thread R1 ½" NPT
- 2" valve
- Solvent Socket d63 metric
  - Thread R2" BSP
  - Thread R2" NPT
- 3" valve
- Solvent socket d90 metric
  - Thread R3" BSP

**Flange connection Top Mount**

- 6" BS Thread flange
- Clamping flange
- Screw flange

**Base connection Top Mount**

- 1 ½" (metric / imperial): 50mm / 48,4mm  
 2" (metric / imperial): 63mm / 60,325mm

**Operating pressure:**

**ABS:**  
 SM 1 ½", 2", 3" / TM 1 ½"; 2" 3,5 bar (20C°)

**ASA-GF:**  
 SM 1 ½", 2" 6 bar (20C°)  
 SM 3" 5 bar (20C°)

**Features:**

- Automatization possible (with <sup>®</sup>AquaStar)
- with laser lettering several languages for positions possible

**Accessories:**

- Pipe system for Side Mount
- Clamp ring for Top Mount
- Praher Plastics adapter unions
- <sup>®</sup>AquaStar

This document does not constitute a guarantee, it is for initial information purposes only. The product range is constantly upgraded therefore the designs and types only reflect the state of the art at the time of printing.

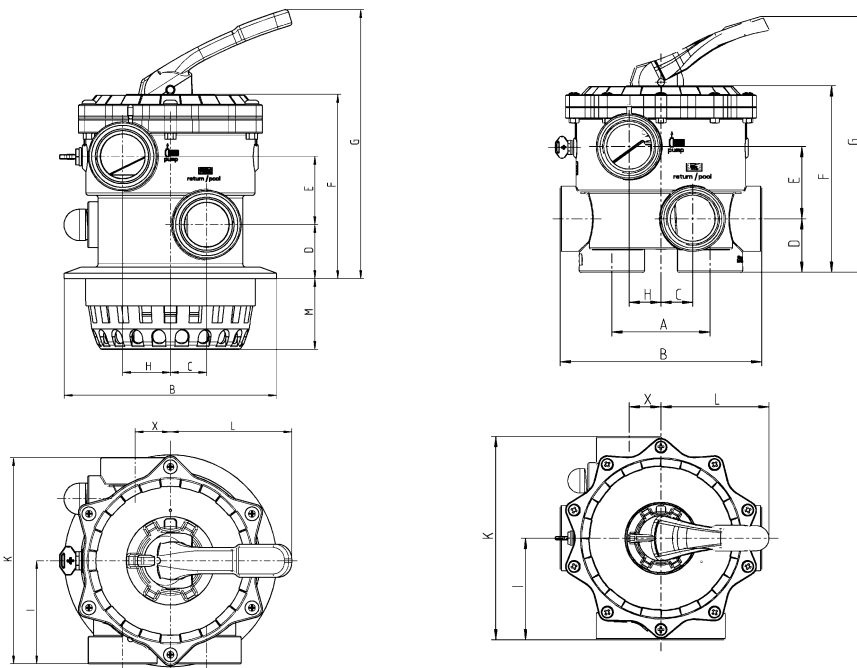
**Product**  
6-way backwash valve



**Dimensions:**

Top Mount

Side Mount



	Side Mount						Top Mount	
	1 1/2"		2"		3"		1 1/2"	2"
	ABS	ASA-GF	ABS	ASA-GF	ABS	ASA-GF	ABS	ABS
A	99		110		170		130	125
B	180		227		329		<i>see flange connection</i>	<i>see flange connection</i>
C	31,5		36		50		31,5	36
D	48,5		60		85,5		38	43
E	60		81		110		59,5	81
F	165		210		304		235,5	280
G	247		296		434		245	292
H	41,5		36		50		41,5	36
I	87,5		115		165		90	114,5
K	175		230		330		180	229
L	135,5		135,5		206		135,5	135,5
M	/		/		/		46	57
X	30		36		50		30	36

Dimensions in mm



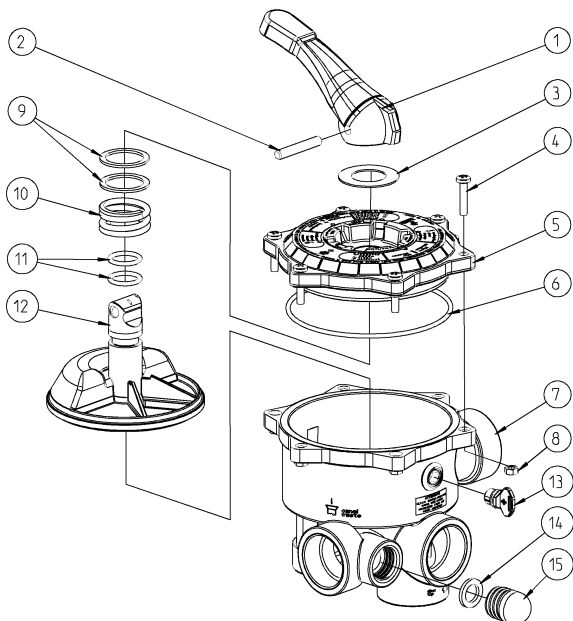
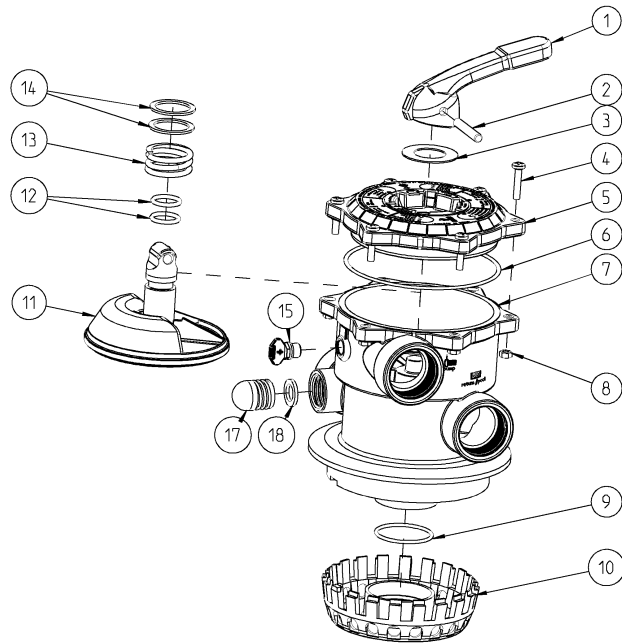
**Product**

6-way backwash valve

**Exploded drawing:**

**Top Mount:**

1. Handle
2. Handle polt
3. POM-Washer
4. Screw
5. Cover
6. O-Ring
7. Body
8. Screw nut
9. O-Ring
10. Base
11. Valve plate
12. O-Ring
13. Spring
14. POM-Washer
15. Air bleeder plug + O-Ring
17. Sight glass
18. Seal flat



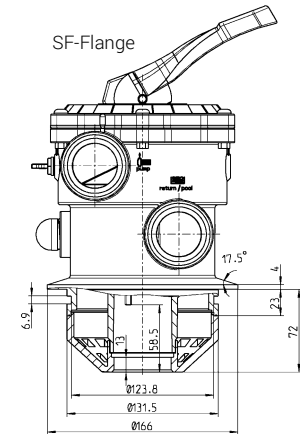
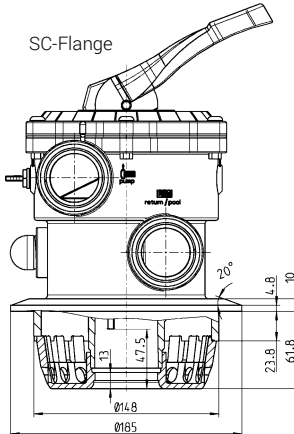
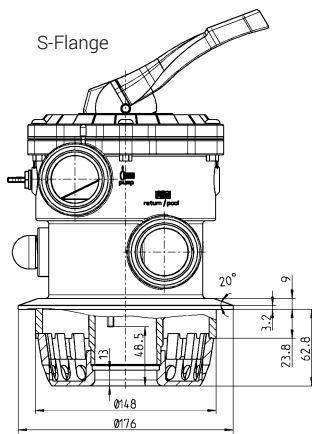
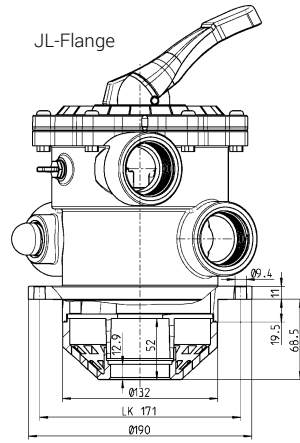
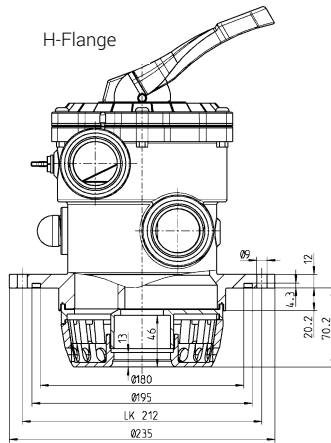
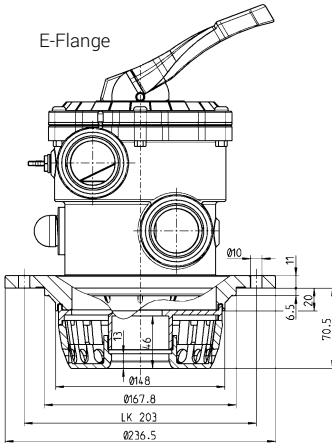
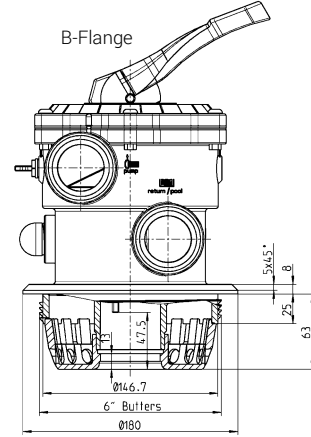
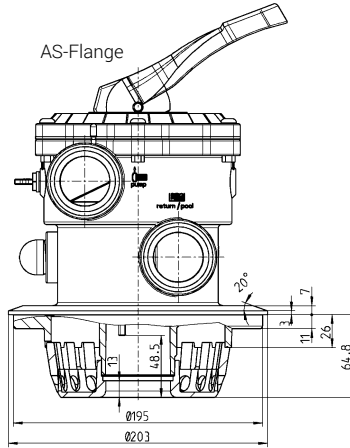
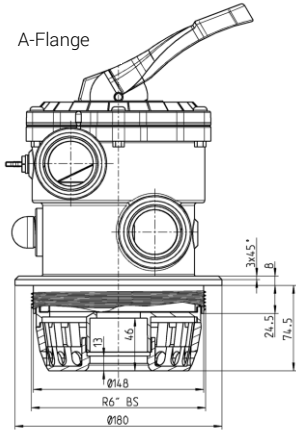
**Side Mount:**

1. Handle
2. Handle polt
3. POM-Washer
4. Screw
5. Cover
6. O-Ring
7. Body
8. Screw nut
9. POM-Washer
10. Spring
11. O-Rings
12. Valve plate
13. Air bleeder plug + O-Ring
14. Seal flat
15. Sight glass

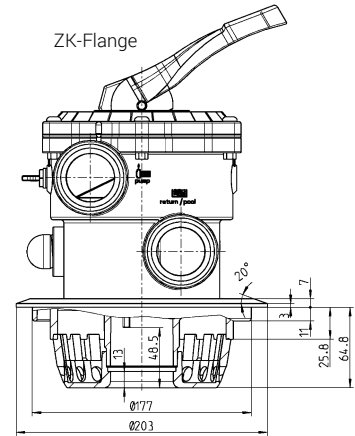
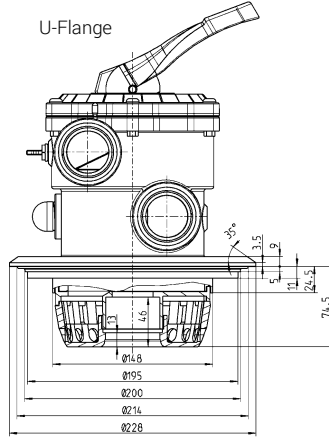
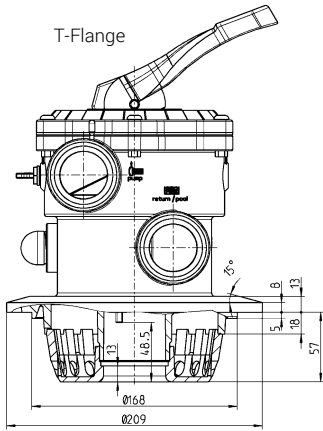
**Product**  
6-way backwash valve



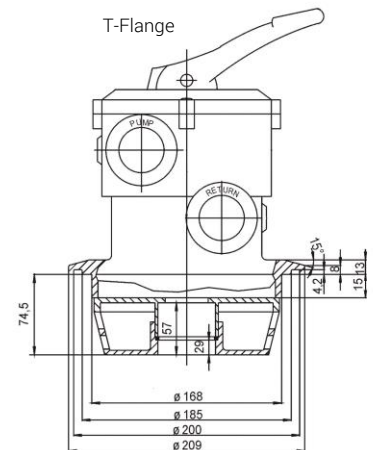
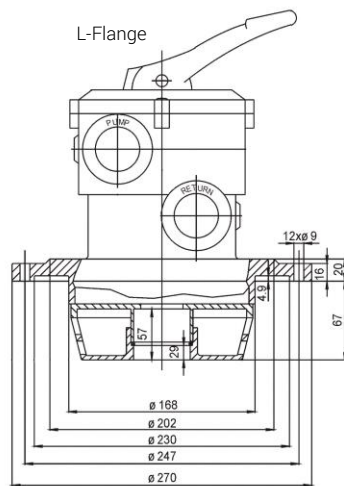
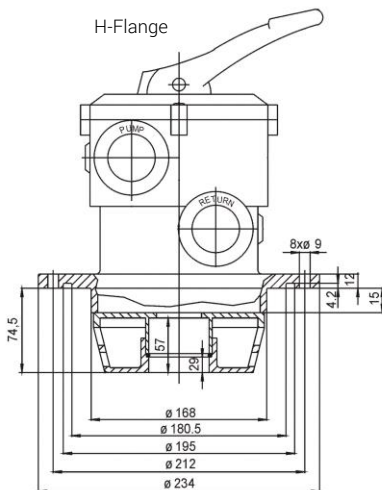
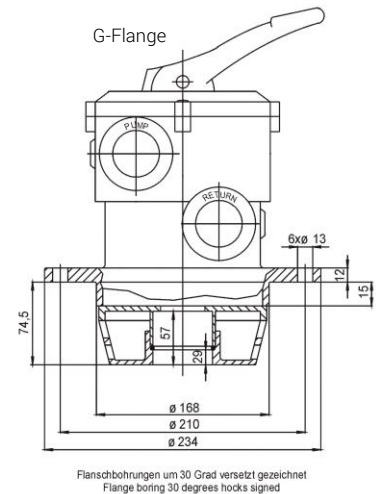
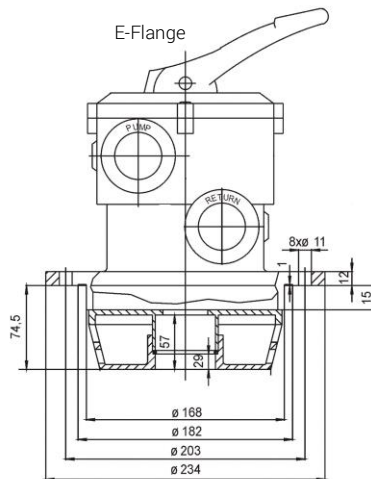
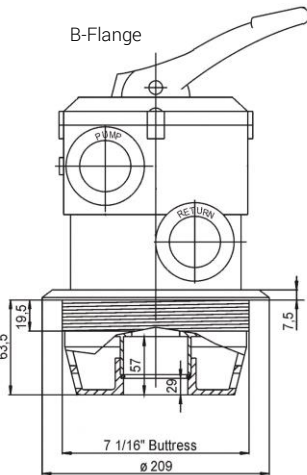
**Flange connection Top Mount 1 1/2":**



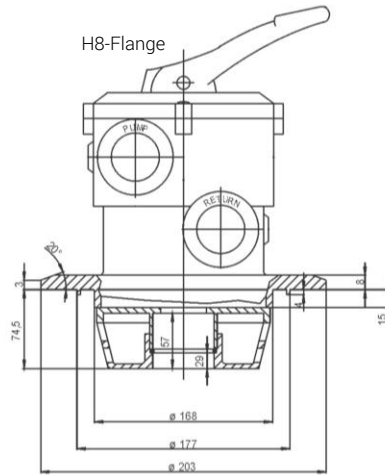
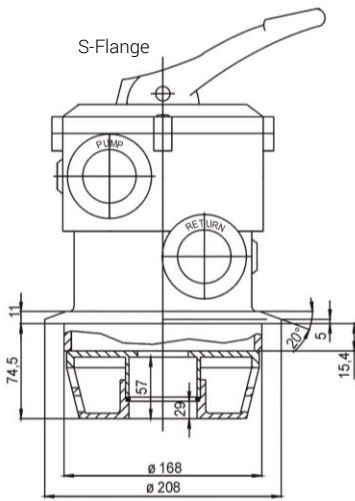
**Product**  
6-way backwash valve



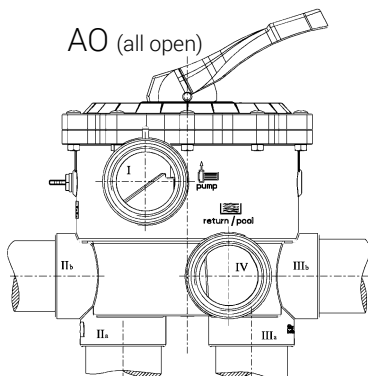
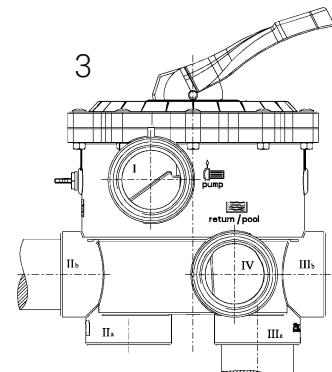
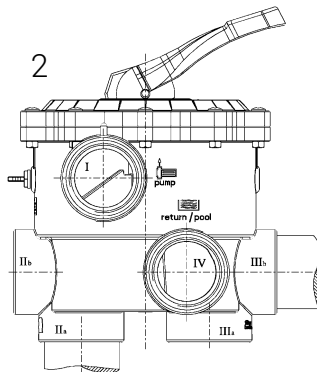
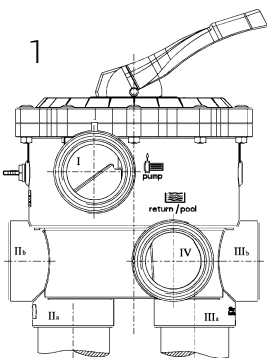
**Flange connection Top Mount 2":**



**Product**  
6-way backwash valve



Pipe connection Side Mount 1 1/2", 2" and 3":



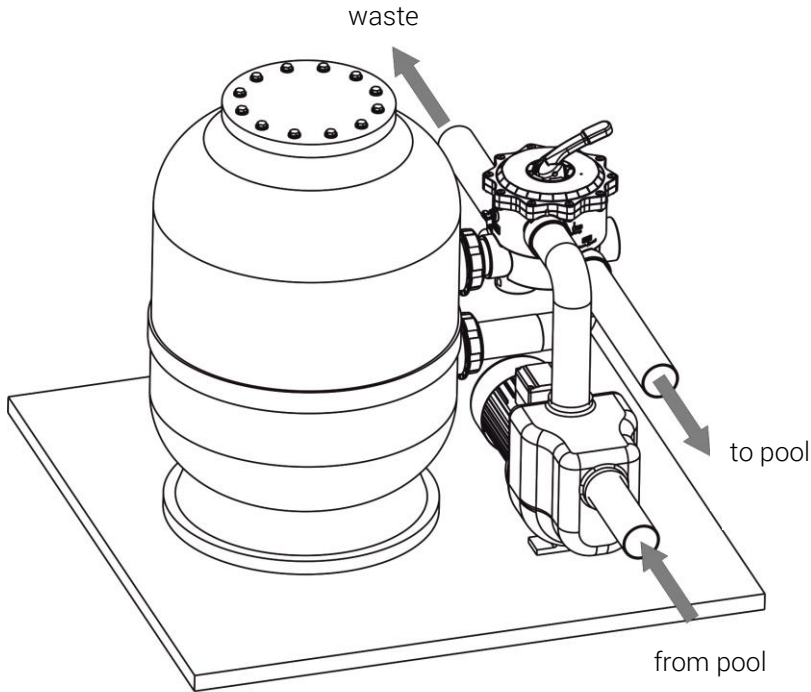
Nr.	Bezeichnung
<b>I</b>	from pump
<b>II</b>	to filter
<b>III</b>	from filter
<b>IV</b>	to pool
<b>V</b>	to waste



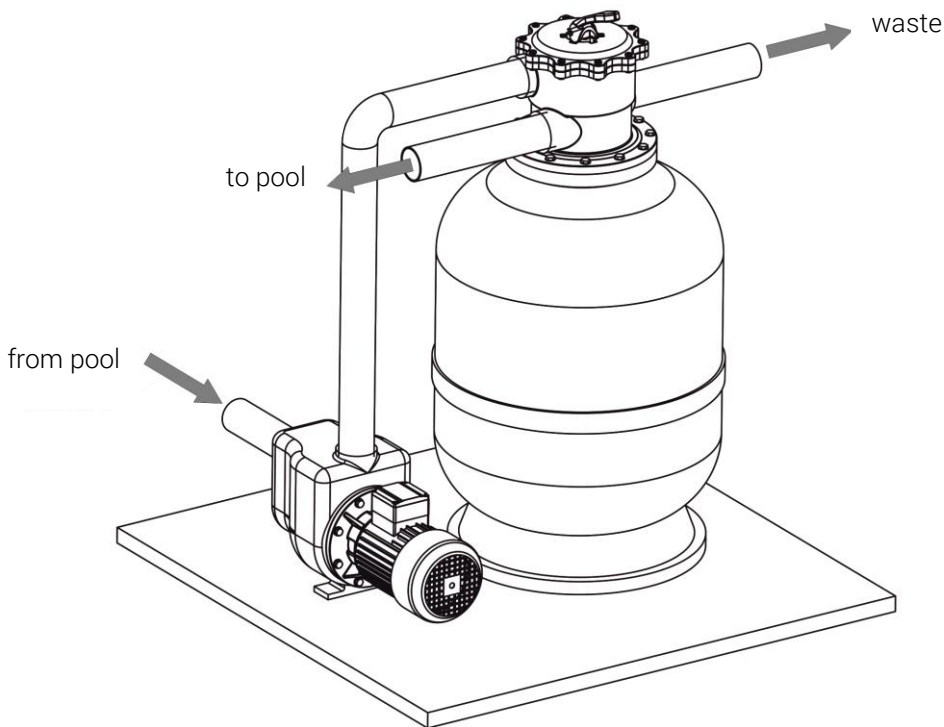


**Product**  
6-way backwash valve

**Scheme Side Mount:**



**Scheme Top Mount:**



**Product**  
6-way backwash valve



**Function- and installationscheme:**

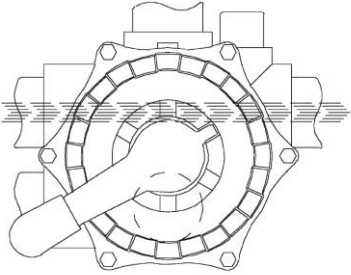
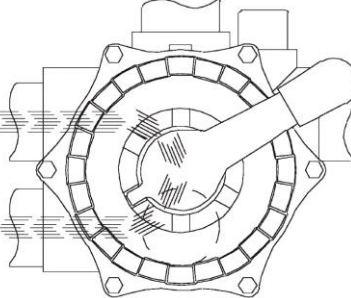
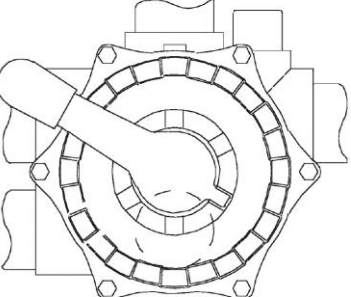
<p><b>1. Filter</b> Filtration of medium</p> <p><i>Loop: pool – pump – valve (to filter) – filter – valve (from filter) – pool</i></p>	
<p><b>2. Backwash</b> Cleaning of filter medium in upstream</p> <p><i>Loop: pool – pump – valve (from filter) – filter – valve (to filter) – pool</i></p>	
<p><b>3. Rinse</b> Cleaning of filter medium after backwash</p> <p><i>Loop: pool – pump – valve (to filter) – filter – valve (from filter) – waste</i></p>	





**Product**  
6-way backwash valve



<p><b>4. Waste</b> Drainage of pool with pump</p> <p><i>Loop: pool – pump – valve – waste</i></p>	<p>to filter</p> <p>pump</p> <p>pool</p>  <p>waste</p> <p>from filter</p>
<p><b>5. Recirculation</b> Recirculation of fluid without filter (by pass filter)</p> <p><i>Loop: pool – pump – valve – pool</i></p>	<p>to filter</p> <p>pump</p> <p>pool</p>  <p>waste</p> <p>from filter</p>
<p><b>6. Closed</b> No circulation! Do not operate the pump!</p> <p><i>Loop: pool – pump – valve</i></p>	<p>to filter</p> <p>pump</p> <p>pool</p>  <p>waste</p> <p>from filter</p>
<p><b>7. Winter position</b> Valve plate is lifted; gasket is discharged</p>	



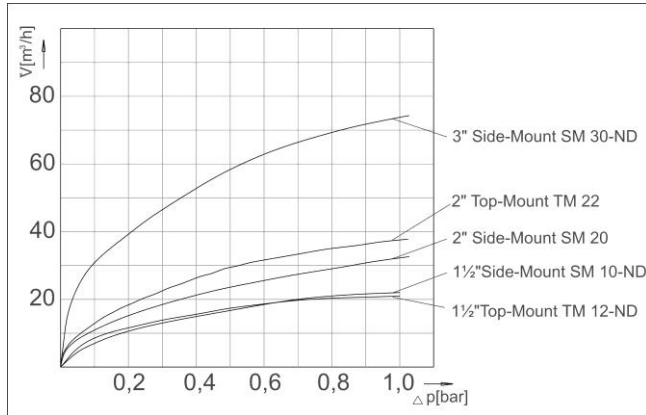
# Product

## 6-way backwash valve



### Diagrams:

Pressure loss diagram filter:



Pressure loss diagram backwash:

