

## 2 way ball valve S6

Electric actuator EO510 IND



### **General:**

- Material: PVC-U
- Sealing material: EPDM
- Ball seating joint: PTFE
- Dimensions: DN32 – DN50  
d40 – d63  
1 1/4" – 2"
- Voltages: 24V AC  
12 – 24V DC

### **Connector types**

- Solvent socket PVC DIN

### **Operating pressure:**

DN32 d40 1 1/4" – DN50 d63 2" PN3

### **Technical features:**

- Manual override with visual position indicator
- 4 possible travel stops
- Position feedback possible
- Protection class IP65

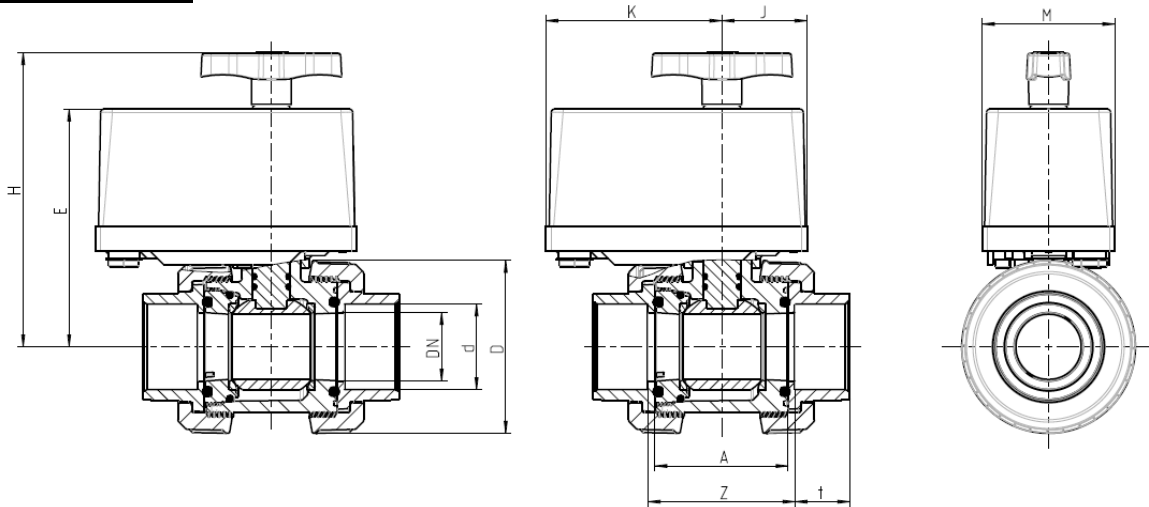
This document does not constitute a guarantee, it is for initial information purposes only. The product range is continually upgraded, the designs and types therefore only reflect the state of the art at the time of printing. Subject to technical modifications!



## 2 way ball valve S6

Electric actuator EO510 IND

**Dimensions:**



**PVC-U**

Connector types  
PVC solvent socket

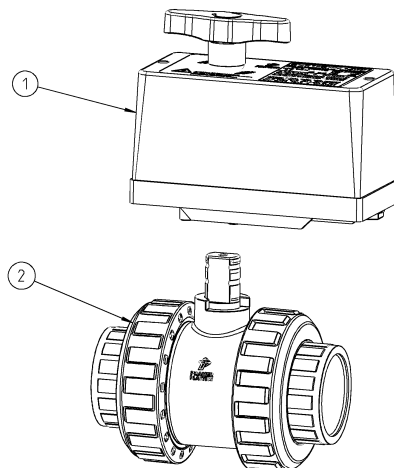
		DN	32	40	50
		d	40	50	63
ball valve PVC-U	A	77	77	87	
	D	101,5	101,5	115,3	
	t <sub>sso</sub> <sup>1</sup>	26,5	31,5	38,5	
	Z	87	87	99	
	PN	3	3	3	
actuator	E	138,5	138,5	143,5	
	H	172	172	177	
	M	77	77	77	
	J	49,5	49,5	49,5	
	K	102,5	102,5	102,5	

dimensions in mm

<sup>1</sup> SSO = solvent socket

**Exploded drawing:**

- EO510 ECO
- 2 way ball valve S6

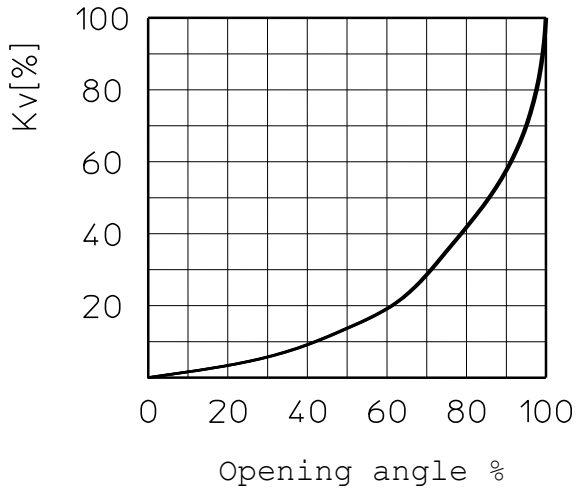


**2 way ball valve S6**  
Electric actuator EO510 IND

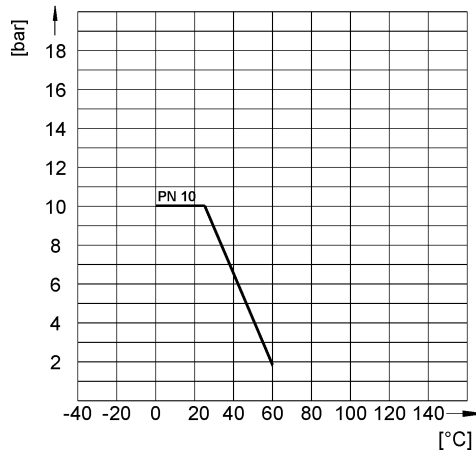


**Diagrams:**

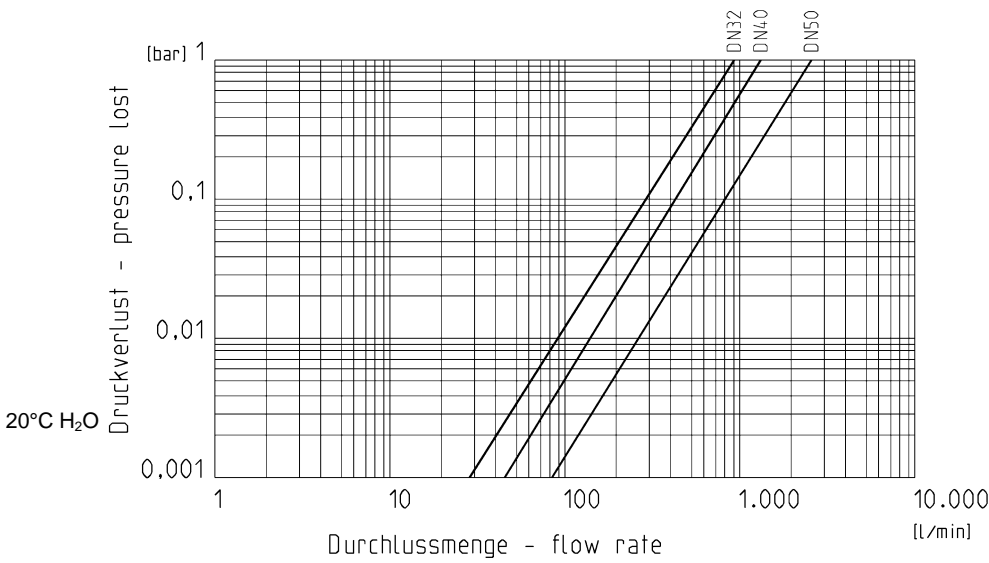
**Flow-Characteristic**



**Pressure-Temperature-Diagram – PVC-U**



**Pressure loss – Diagram**



**Kv value**

Pressure loss	DN32	DN40	DN50
0,001 bar	28,4	44,2	82,2
1 bar	900	1400	2600

l/min

**2 way ball valve S6**  
Electric actuator EO510 IND

**Technical data EO510 IND:**

	<b>EO510 IND-24V</b>
Voltages	24V AC/DC
Frequency range	50/60 Hz
Power consumption	8 Watt max.
Protection	IP65
Operating time	14 sec 90°
Rotation angle	360° set to 90° 2 intermediate positions possible
Duty duration	60% / max. 20 min
Electrical connection	Plug 3P+E DIN EN17530 1 -803
Nominal torque	7 Nm
Peak torque	9 Nm
Temperature	0°C bis + 50°C
Body material	ABS
Position indicator	optically (manual override handle)
Manual override	integrated

**Electrical connection:**

