

General:

- Material: PVC – U, POM
- Sealing Material: EPDM
- Dimensions: DN40 - DN50
d50 - d63

Connection types:

- Adaptor Union
- Double Union
- Adaptor Elbow
- Elbow 90° / 45°
- Adaptor Tee

Operating Pressure: PN4

Technical features:

- patented system for swimming pools
- removable and easy to assemble:
 - fast connection
 - quick assembly time
 - no drying time
 - no protection measures required

Assembly options:

- On rigid PE Pipe
Use standard union.
- On rigid PVC-U Pipe
Brass ring is required (see page 4)

This print contains no warranty promise, but it should give you some first information. The product range is extended continuously, therefore the versions and types correspond to the actual status of printing.
Subject to technical modifications!

Adapter and connection types:

- compression – solvent cement spigot
- compression – solvent cement socket
- compression – male thread
- compression – female thread
- compression – compression (Double Union)
- Elbow 90°
 - compression – solvent cement socket
 - compression – female thread
 - compression – male thread
 - compression – compression
- Elbow 45°
 - compression – solvent cement socket
- Tee
 - compression – solvent cement socket
 - compression – compression

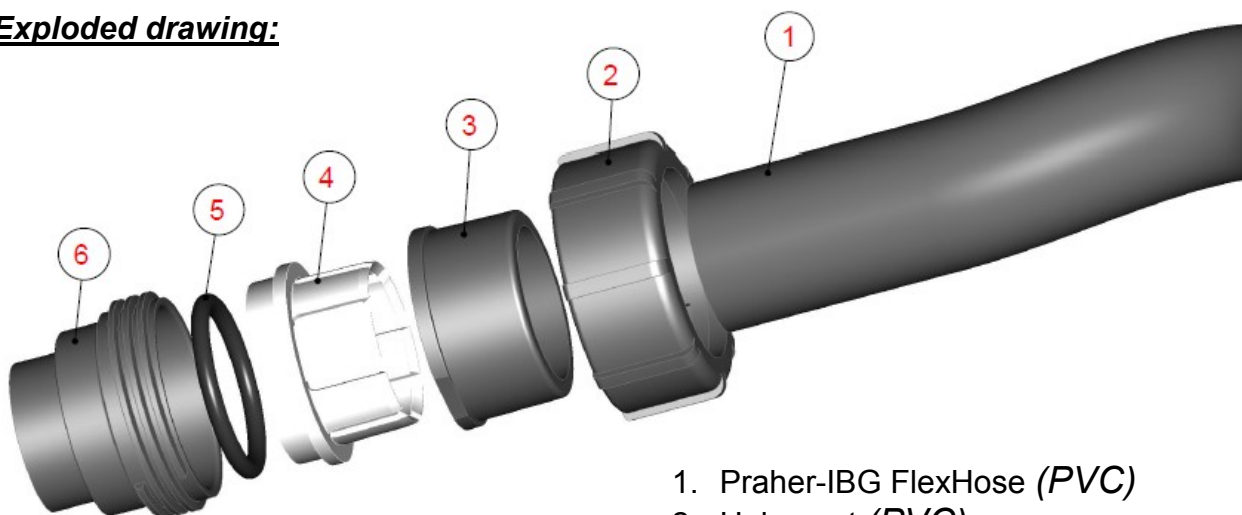
FlexFit for PVC Praher-IBG FlexHoses

Made for swimming pools.

Please consider Installation and storage recommendation for Praher-IBG Flex Hose!

Operating pressure: d50 => PN4
 d63 => PN4

Exploded drawing:



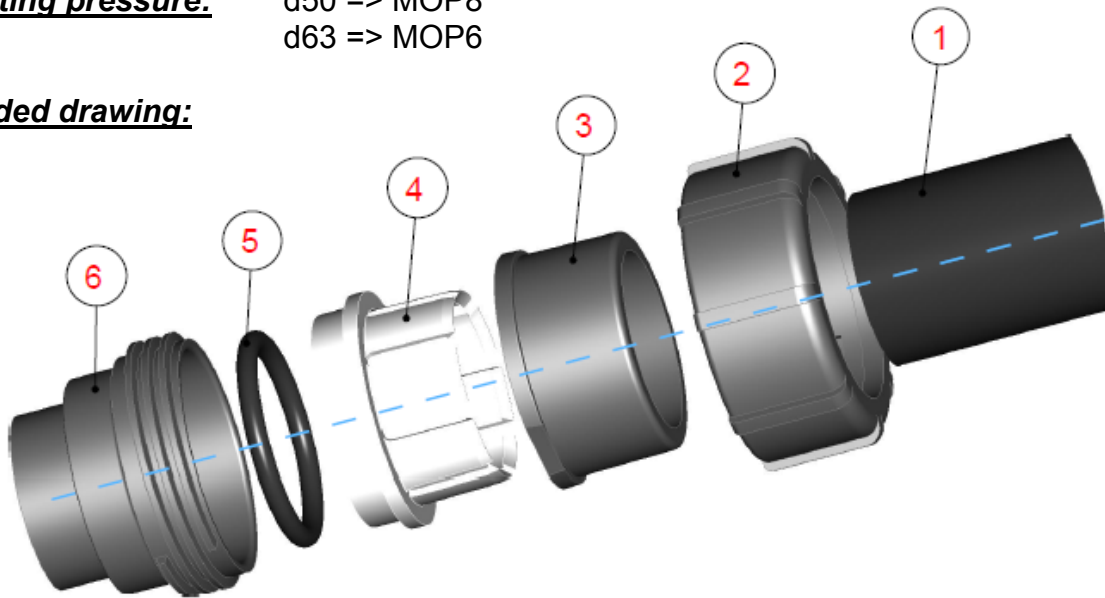
1. Praher-IBG FlexHose (PVC)
2. Union nut (PVC)
3. Compression bush (PVC)
4. Clamping ring (POM)
5. O-Ring (EPDM)
6. Adapter (PVC)

FlexFit for rigid PE – Pipes

FlexFit - unions for rigid PE-Pipes.

Operating pressure: d50 => MOP8
 d63 => MOP6

Exploded drawing:



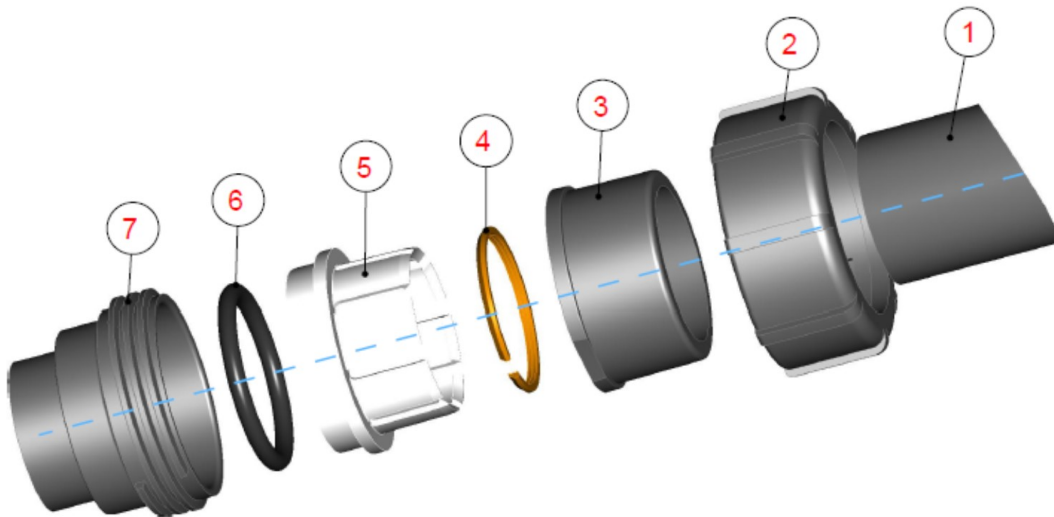
1. Pipe (*PE*)
2. Union nut (*PVC*)
3. Compression bush (*PVC*)
4. Clamping ring (*POM*)
5. O-Ring (*EPDM*)
6. Adapter (*PVC*)

FlexFit for rigid PVC – U Pipes

Special FlexFit – unions with Brass ring (*Pos 4; item.no. d50 142428 / d63 142429*), for direct fixing on rigid PVC – Pipes.

Operating pressure: d50 => MOP8

Ex



1. Pipe (*PVC*)
2. Union nut (*PVC*)
3. Compression bush (*PVC*)
4. Brass ring (*Brass*)
5. Clamping ring (*POM*)
6. O-Ring (*EPDM*)
7. Adapter (*PVC*)