



General:

- Material: PVC
- Seals: FPM, EPDM
- Dimensions: DN6 – DN100

Connector types:

- Solvent socket
- Thread

Operating Pressure:

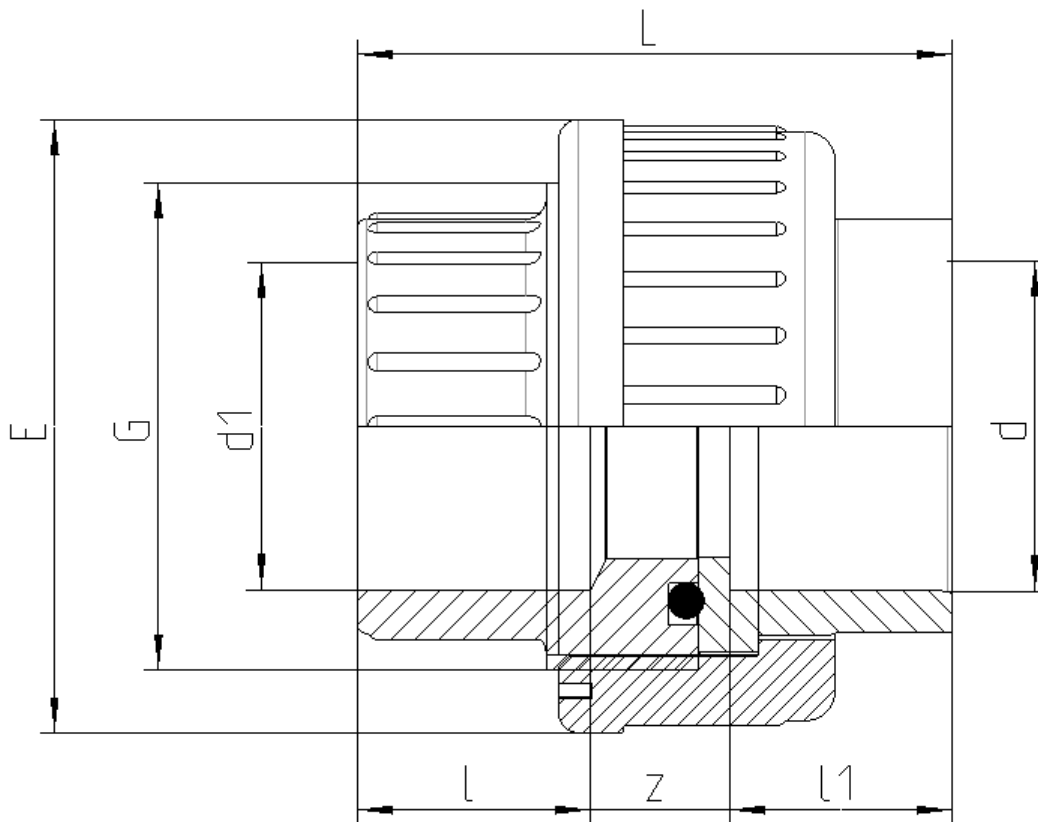
- DN6 - DN50 PN16
- DN65 - DN100 PN6 - PN10

Technical Features:

- Service life of 25 years at static pressure load and 20°C water-like media.
- In accordance with ISO 727, DIN EN ISO 1452 and DIN EN ISO 15493
- Solvent socket glueing process in accordance with DVS 2204-4
- IBG® PVC-U assortment optimized for the process of dry installation (for details see technical declaration: dry installation of IBG® PVC-U fittings)

This document does not constitute a guarantee, it is for initial information purposes only. The product range is continually upgraded, the designs and types therefore only reflect the state of the art at the time of printing.
Subject to technical modifications!

Dimensions and operation pressure:

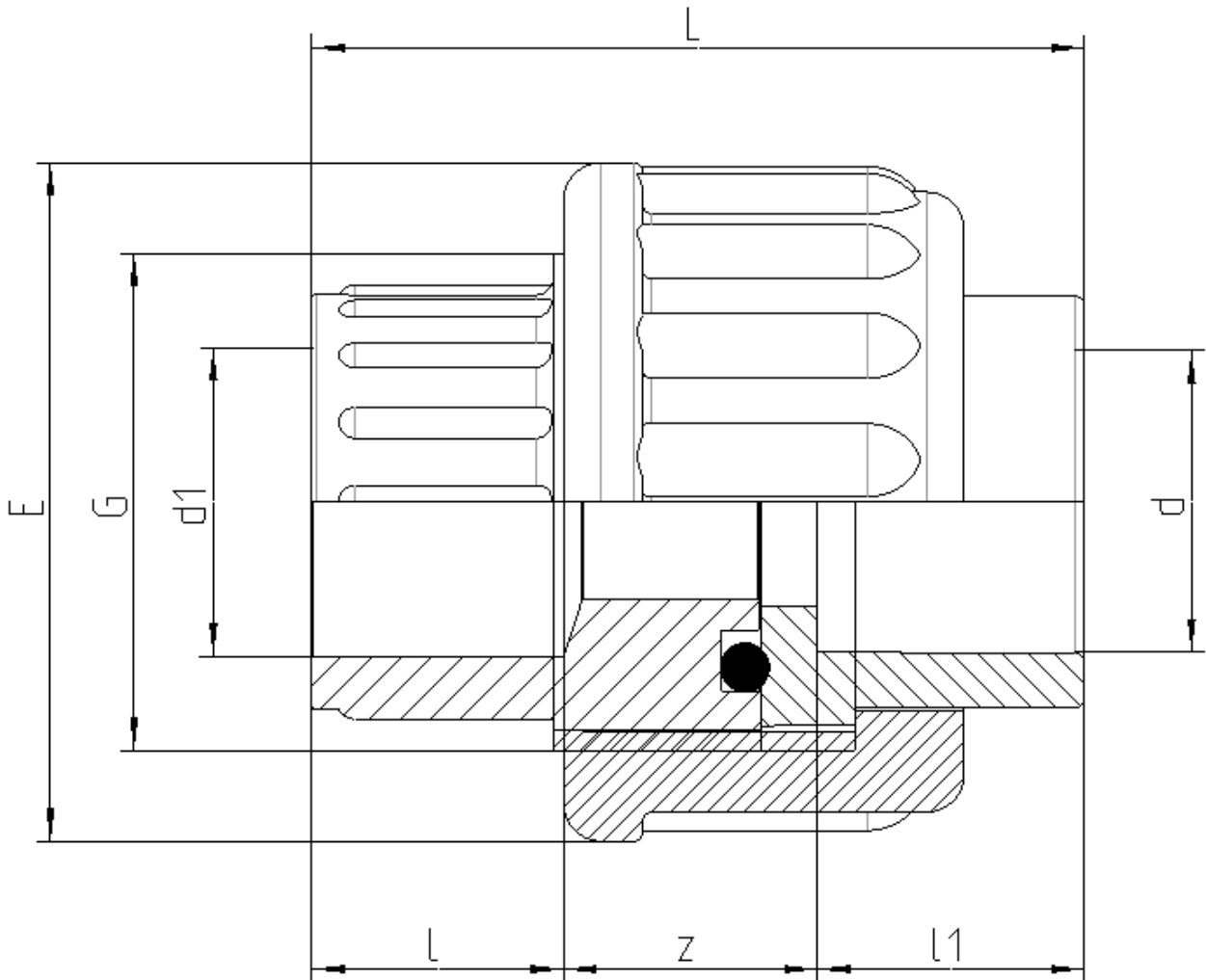


	DN	d	PN	L	E	G	d1	l	l1	z
72114*	6	10	16	46	32	5/8"	10	12,5	13	19,5
71116*	8	12	16	46	32	5/8"	12	13	14	19
70682**	10	16	16	51	36	3/4"	16	14	14	23
70513	15	20	16	46	44	1"	20	16,5	17	12,5
70683	20	25	16	51	53	1 1/4"	25	20	18,5	12,4
70514	25	32	16	59	60	1 1/2"	32	23	22	14
70515	32	40	16	68	74	2"	40	26	27	15
70684	40	50	16	80	83	2 1/4"	50	32	32	16
70685	50	63	16	99	103	2 3/4"	63	39	39	21
70686	65	75	10	109	118,5	3 1/2"	75	43,5	44,5	21
70687	80	90	6	125	135	4"	90	51	51	23
70688	100	110	6	139	161	5"	110	62	61	16

* ... Design with hexagonal screw-in part (WAF 23)

** ... Design with hexagonal screw-in part (WAF 25)

Dimensions and operation pressure:

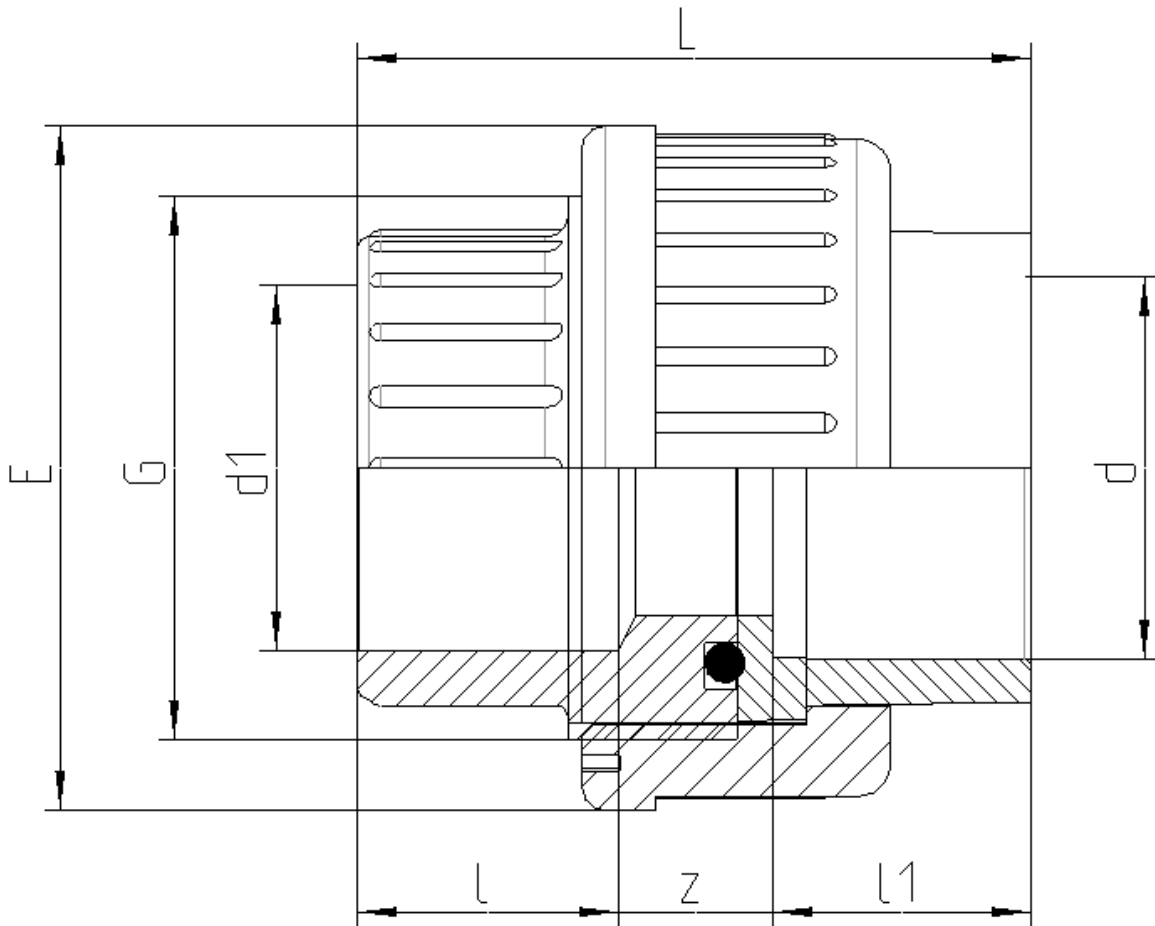


	d	PN	L	E	G	d1	l	l1	z
77280	16	16	41	36	3/4"	16	14,5	14,2	12,3
77281	20	16	46	44	1"	20	17,2	17,3	11,5
77282	25	16	51	53	1 1/4"	25	20	18,5	12,5
77283	32	16	59	60	1 1/2"	32	24,5	22	13,5
79028	40	16	68	74	2"	40	27,4	26,8	13,8
79029	50	16	80	83	2 1/4"	50	32	26,7	21,3

Union ISO/metric

[Solvent socket, EPDM seal, also usable for ASTM/metric]

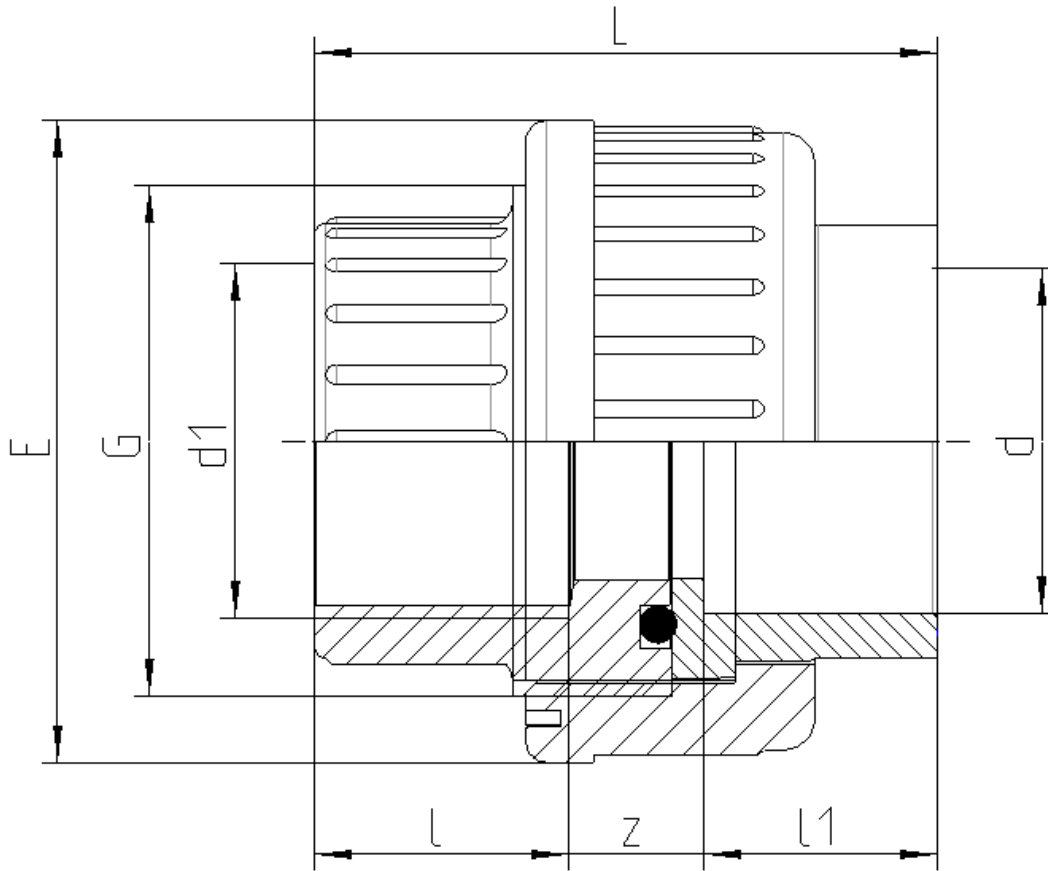
Dimensions and operation pressure:



	d	PN	L	E	G	d1	l	l1	z
72115	1/2"	16	46,3	44	1"	20	16,3	17,4	12,6
72116	3/4"	16	52	53	1 1/4"	25	20	20	12
72118	1"	16	59,3	60	1 1/2"	32	23	22,7	13,6
72120	1 1/4"	16	68	74	2"	40	26	27	15
72122	1 1/2"	16	80	83	2 1/4"	50	32,3	26,7	21
72123	2"	16	99	103	2 3/4"	63	39	39	21

Union Typ „A“
 [Solvent socket – female thread, FPM seal]

Dimensions and operation pressure:



	d	PN	L	E	G	d1	l	l1	z
72601*	12	16	46,3	32	5/8"	1/4"	13	19,3	14
71214**	16	16	41,4	33	3/4"	3/8"	11,4	14,2	15,8
71215	20	16	46,3	44	1"	1/2"	15,4	17,2	13,7
71216	25	16	52	53	1 1/4"	3/4"	20	20	12
71217	32	16	58,5	60	1 1/2"	1"	24	22	12,5
71218	40	16	67,6	74	2"	1 1/4"	25,3	26,8	15,5
71219	50	16	80	83	2 1/4"	1 1/2"	32	26,7	21,3
71220	63	16	98,5	102,8	2 3/4"	2"	44,6	38,7	15,2

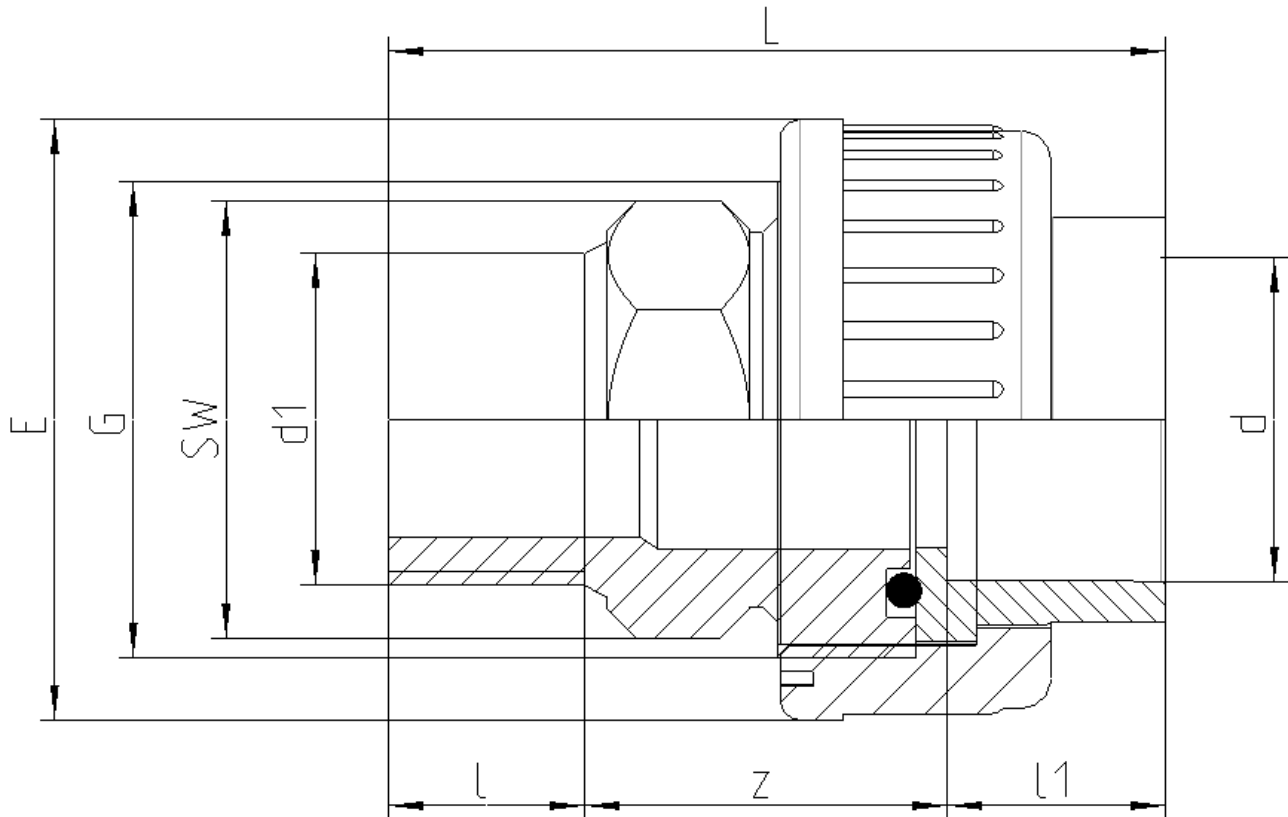
* ... Design with hexagonal screw-in part (WAF 23)

**... Design with hexagonal screw-in part (WAF 22)

Union Typ „B“

[Solvent socket – male thread, EPDM seal]

Dimensions and operation pressure:

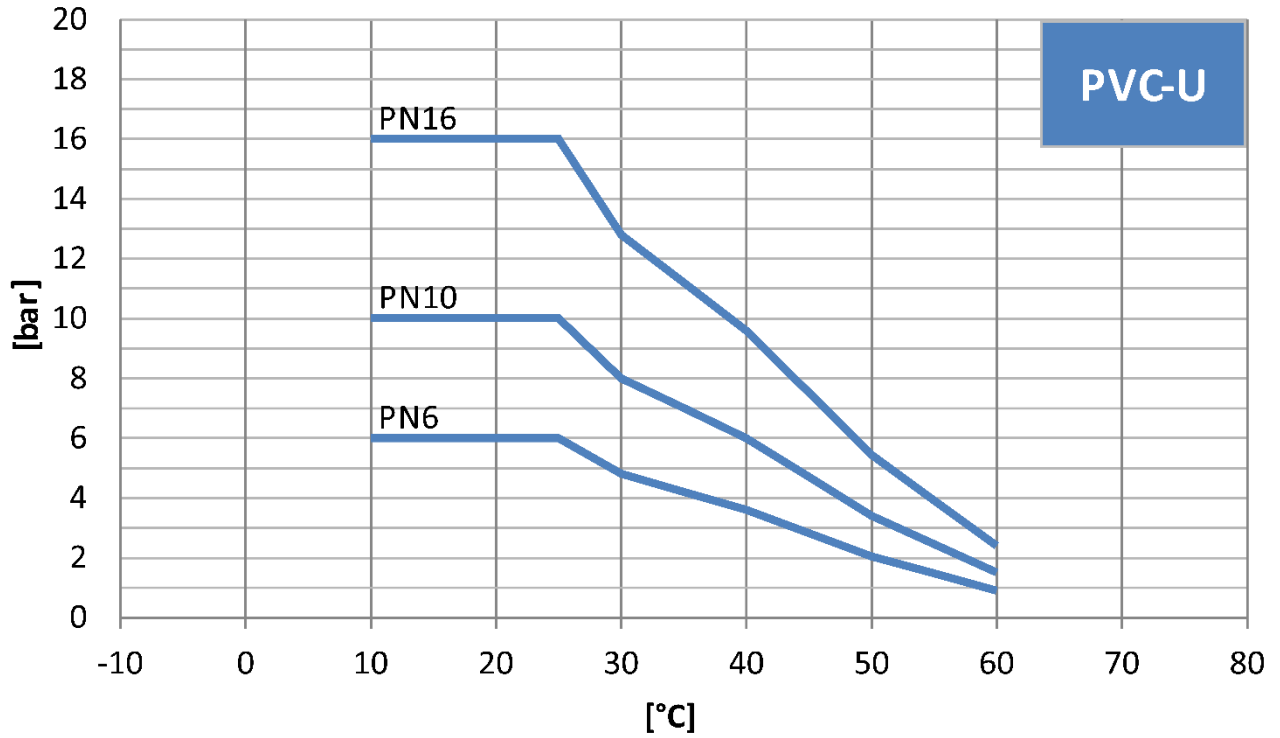


	d	PN	L	E	SW	G	d1	l	l1	z
72169	12	10	51	32	23	5/8"	1/4"	11	12	28
71240	16	10	57	36	25	3/4"	3/8"	12,5	14	30,5
71241	20	16	65	44	28	1"	1/2"	16	17	32
71242	25	16	69	53	32	1 1/4"	3/4"	16	18,5	34,5
71243	32	16	78	60	38	1 1/2"	1"	20	22	36
71244	40	16	88	74	46	2"	1 1/4"	22,5	26,8	38,7
71245*	50	16	85	83	-	2 1/4"	1 1/2"	18	32	35
71246**	63	16	99	102,8	-	2 3/4"	2"	20	38,7	40,3
76199	75	10	135	124	94	3 1/2"	2 1/2"	34,4	44	56,6
76568	90	10	156	149	114	4 1/2"	3"	37	51	68
76570	110	10	179,3	173	138	5"	4"	43,3	61,2	74,8

* ... Version without hexagon for screw-in part

**... Design for screw-in part with outer contour as for union nut

Pressure – Temperature – Diagram:



The values of the pressure-temperature-diagram are based on a service life of 25 years at static pressure load and apply to water or water-like media.