

**General:**

- Material: PVC-U
- Seals: FPM, EPDM

**Connector types:**

- Solvent socket
- Thread

**Dimensions:**

- see table

**Operating Pressure:**

- see table

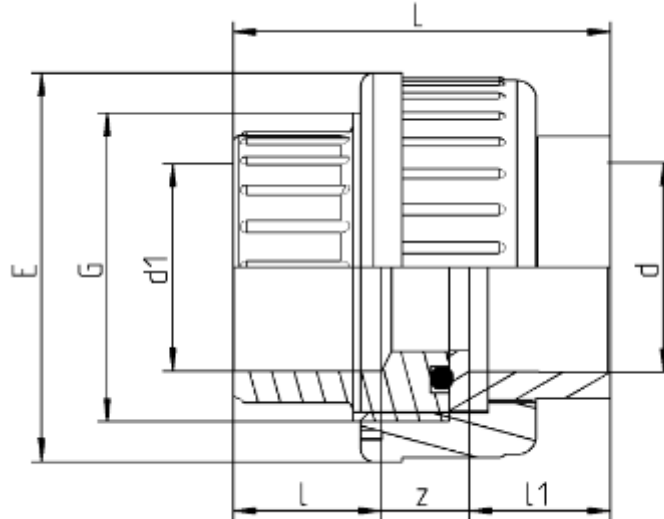
**technical features:**

- designed for usage of 25 years with media water and 20°C media temperature
- due to: ISO 727, DIN EN ISO 1452 and DIN EN ISO 15493
- bonded joints have to be conform with DVS 2204-4
- IBG® PVC-U assortment optimized for the process of dry installation (for details see technical declaration: dry installation of IBG® PVC-U fittings)

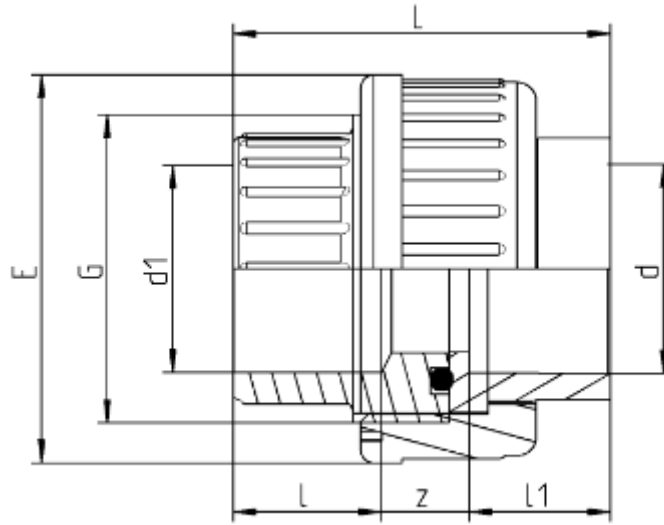
This document does not constitute a guarantee, it is for initial information purposes only. The product range is continually upgraded, the designs and types therefore only reflect the state of the art at the time of printing.  
Subject to technical modifications!

Dimensions and operation pressure:

Union metric

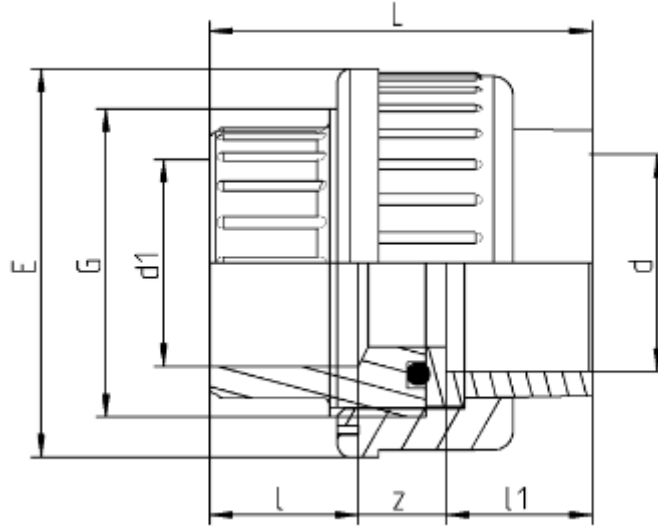


d	DN	PN	L	E	G	d1	l	l1	z
10	6	16	46	32	5/8"	10	12,5	13	19,5
12	8	16	46	32	5/8"	12	13	14	19
16	10	16	51	36	3/4"	16	14	14	23
20	15	16	46	44	1"	20	17	16	13
25	20	16	51	53	1 1/4"	25	20	18,5	12,4
32	25	16	59	60	1 1/2"	32	23	22	14
40	32	16	68	74	2"	40	26	27	15
50	40	16	80	83	2 1/4"	50	32	26,7	21,3
63	50	16	99	103	2 3/4"	63	39	39	21
75	65	10	109	109	3 1/2"	75	44,5	43,5	21
90	80	10	125	125	4"	90	51	51	23
110	100	10	139	138	5"	110	62	61	16



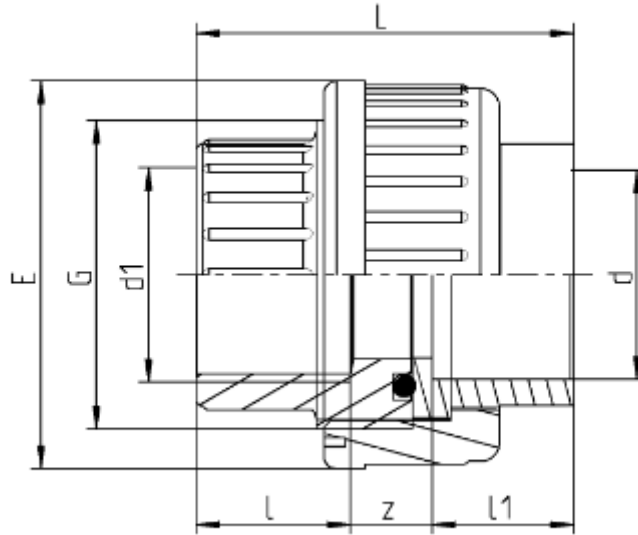
d	PN	L	E	G	d1	l	l1	z
16	16	41	36	3/4"	16	13,4	13,5	14,1
20	16	46,3	44	1"	20	17,2	16,3	12,8
25	16	51	53	1 1/4"	25	20	18,5	12,5
32	16	58,5	60	1 1/2"	32	23	22	13,5
40	16	67,6	74	2"	40	26	26,8	14,8
50	16	80,3	83	2 1/4"	50	32,2	26,7	21,4

Union ISO / metric (also usable for ASTM / metric):



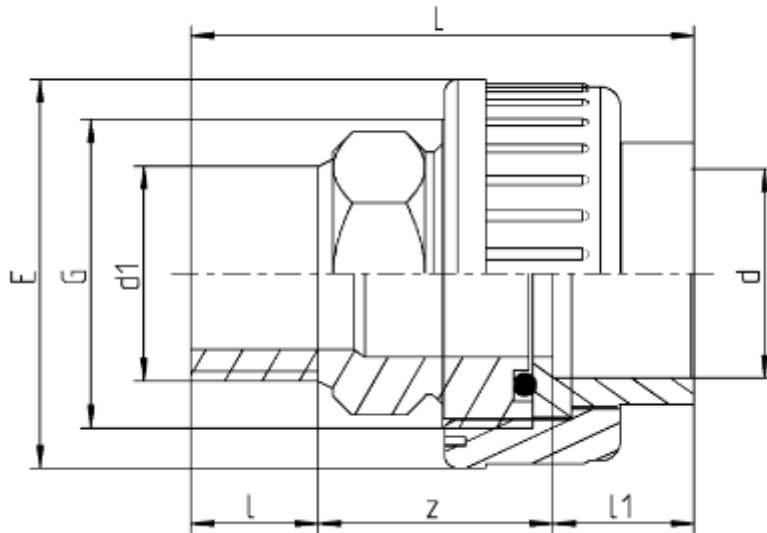
d	PN	L	E	G	d1	l	l1	z
1/2"	16	46,3	44	1"	20	16,3	17,4	12,6
3/4"	16	52	53	1 1/4"	25	20	20	12
1"	16	59,3	60	1 1/2"	32	23	22,7	13,6
1 1/4"	16	68	74	2"	40	26	27	15
1 1/2"	16	80	83	2 1/4"	50	32,3	26,7	21
2"	16	99	103	2 3/4"	63	39	39	21

Union Type „A“ (female thread):



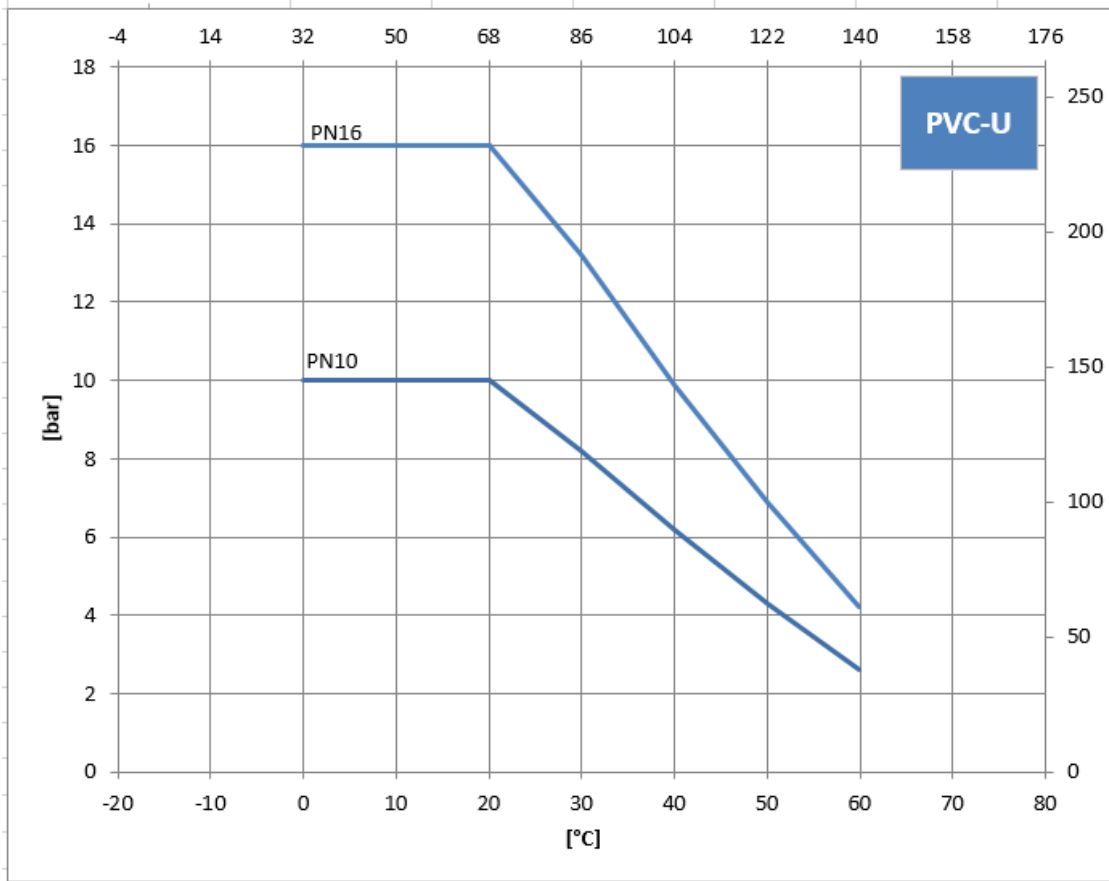
d	PN	L	E	G	d1	l	l1	z
12	10	46,3	32	5/8"	1/4"	13	19,3	14
16	10	41,4	33	3/4"	3/8"	11,4	14,2	15,8
20	10	46,3	44	1"	1/2"	15,4	17,2	13,7
25	10	52	53	1 1/4"	3/4"	20	20	12
32	10	58,5	60	1 1/2"	1"	24	22	12,5
40	10	67,6	74	2"	1 1/4"	25,3	26,8	15,5
50	10	80	83	2 1/4"	1 1/2"	32	26,7	21,3
63	10	98,5	102,8	2 3/4"	2"	44,6	38,7	15,2

Union Type „B“ (male thread):



d	PN	L	E	G	d1	l	l1	z
12	10	51	32	5/8"	1/4"	11	26	14
16	10	57	36	3/4"	3/8"	12,5	30,5	14
20	10	65	44	1"	1/2"	16	32	17
25	10	69	53	1 1/4"	3/4"	16	18,5	34,5
32	10	78	60	1 1/2"	1"	20	22	36
40	10	88	74	2"	1 1/4"	22,5	38,6	26,9
50	10	85	83	2 1/4"	1 1/2"	30	26,7	28,3
63	10	99	102,8	2 3/4"	2"	20	38,7	40,3
75	10	133	121,3	3 1/2"	2 1/2"	34	43,5	55,5
90	10	153,6	154	4"	3"	37	51	66
110	10	179,3	173	5"	4"	43,3	61,2	74,8

Pressure – Temperature – Diagram:



The pressure-temperature-diagram is based on a safety factor of 2.5 and a life cycle time of 25 years.