


## 3 way ball valve S4 Solar Electric actuator EO510 IND



Pressure connection 

### **General:**

- Material: PVC-U
- Sealing materials: EPDM
- Ball seating joint: PTFE / Tpe
- Ball T-bore
- Dimensions
 

DN32	(DN40 / d40 / d1 1/4")
DN40	d50 / d1 1/2"
DN50	d63 / d2"
- Voltages: 12 – 24V AC/DC

### **Connector types**

- Solvent socket PVC DIN / ASTM
- Threaded socket PVC BSP

### **Operating pressure:**

DN32 d40 1 1/4" – DN50 d63 2" PN3

### **Technical features:**

- Manual override with visual position indicator
- 4 possible travel stops
- Position feedback possible
- Pressure connection see symbol photo
- Only for solar applications
- Not completely tight because of compensation holes
- Protection class IP65



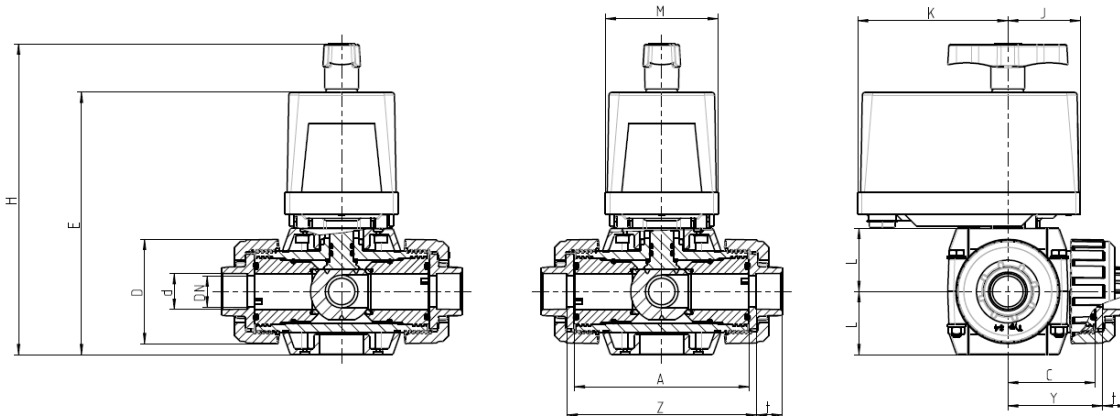
This document does not constitute a guarantee, it is for initial information purposes only. The product range is continually upgraded, the designs and types therefore only reflect the state of the art at the time of printing. Subject to technical modifications!

# 3 way ball valve S4 Solar Electric actuator EO510 IND

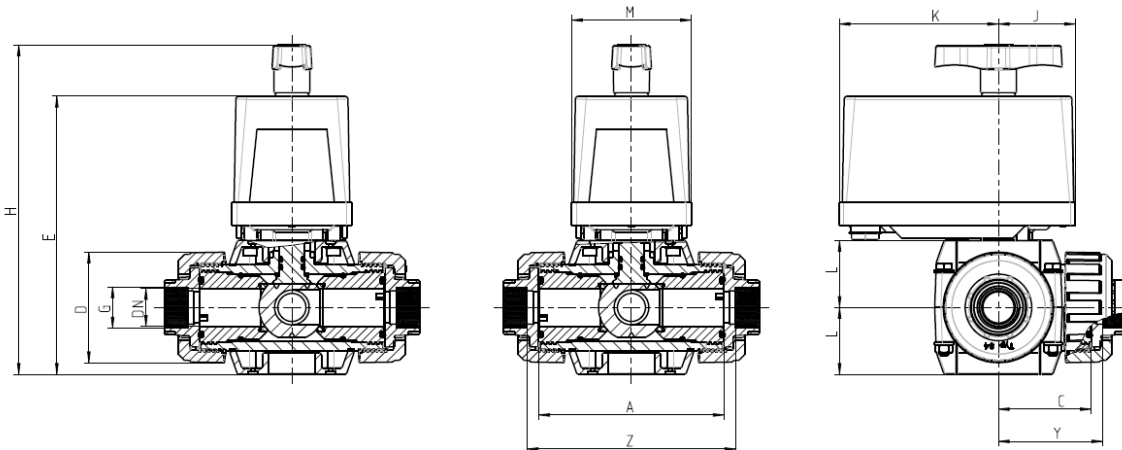


## Dimensions:

BV-PVC-U solvent socket:



BV-PVC-U threaded socket:



## PVC-U

### Connector types

PVC solvent socket / threaded socket

		DN	32	40	50
		d	40	50	63
ball valve PVC-U	G <sub>TSO</sub> <sup>1</sup>		1 1/4"	1 1/2"	2"
	A		162	162	181
	C		81	81	90,5
	D		101	101	124,5
	t <sub>SSO</sub> <sup>2</sup>		27,5	31,5	38,5
	Y <sub>TSO</sub> <sup>1</sup> / sso <sup>2</sup>		85	85	96
	Z <sub>TSO</sub> <sup>1</sup> / sso <sup>2</sup>		170	171	192
		bar	3	3	3
actuator	E		205	205	221
	H		238	238	254
	L		56	56	65
	M		77	77	77
	J		49,5	49,5	49,5
	K		102,5	102,5	102,5

<sup>1</sup> TSO = threaded socket

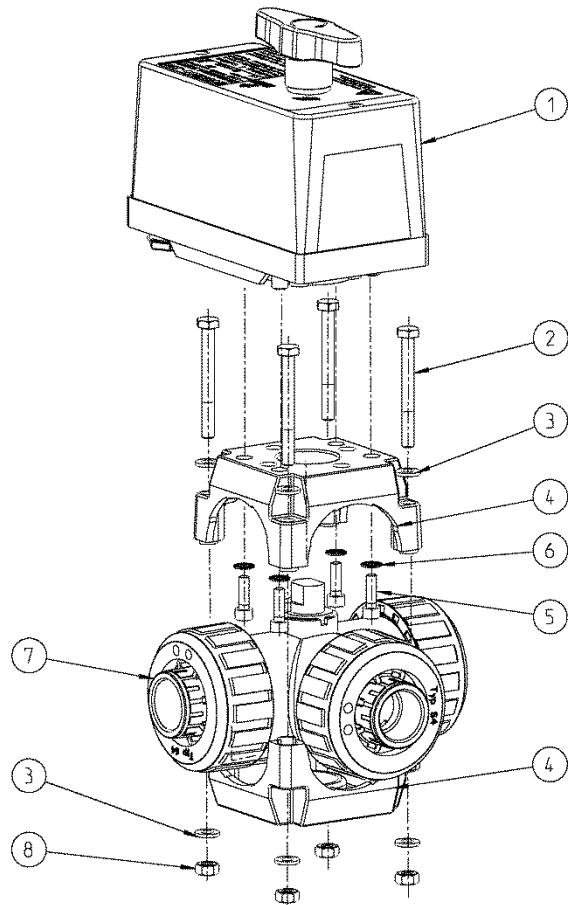
dimensions in mm  
<sup>2</sup> SSO = solvent socket

# 3 way ball valve S4 Solar Electric actuator EO510 IND



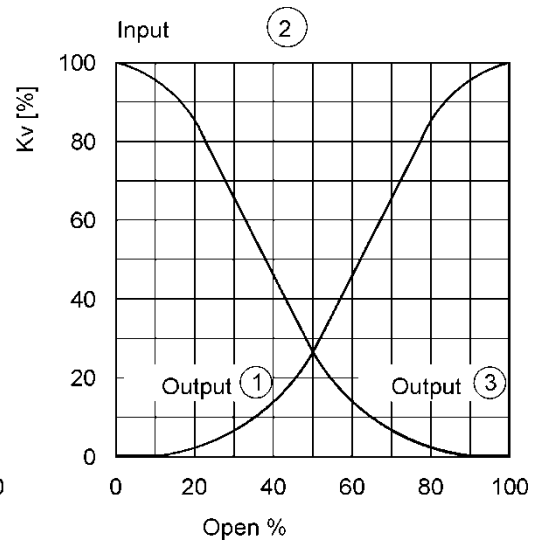
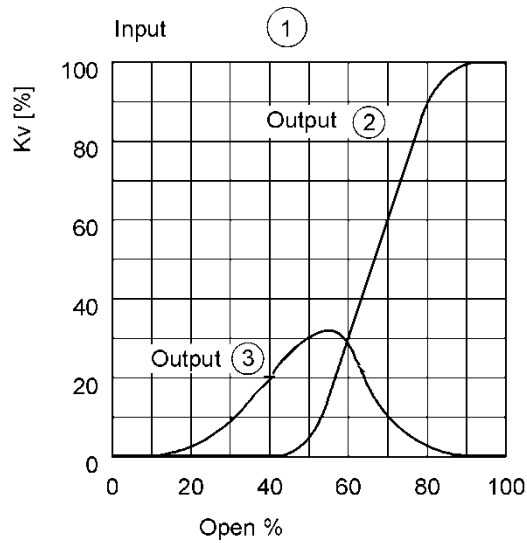
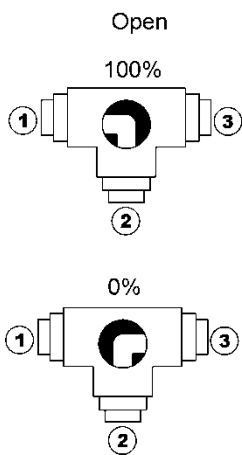
**Exploded drawing:**

- 1. EO510 ECO
- 2. Screws
- 3. Washer
- 4. Bracket
- 5. Screws
- 6. Tooth wheel
- 7. 3 way ball valve S4
- 8. Nut



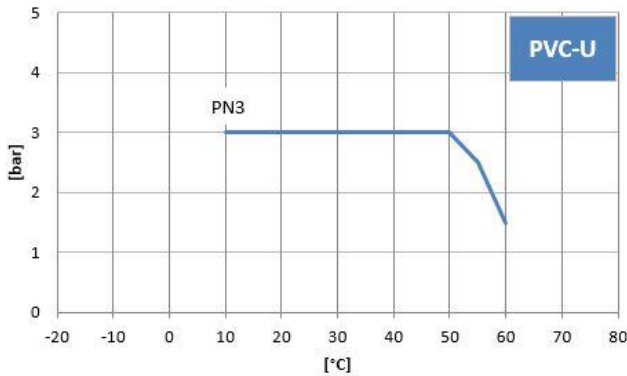
**Diagrams:**

**Flow-Characteristic**

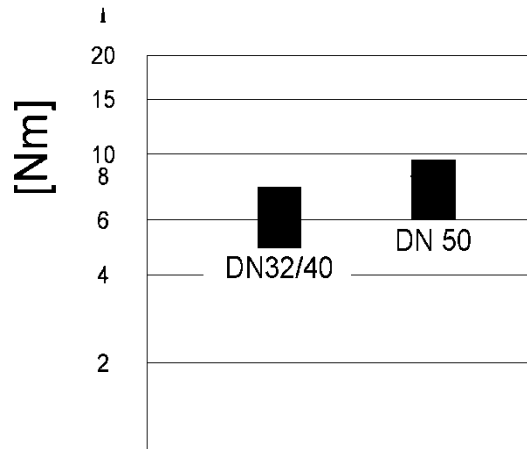


### 3 way ball valve S4 Solar Electric actuator EO510 IND

Pressure-Temperature-Diagram – PVC-U



Torque



**Technical data EO510 IND:**

	<b>EO510 IND-24</b>
Voltages	12 – 24V AC/DC
Frequency range	50 / 60 Hz
Power consumption	8 Watt max.
Protection	IP65
Operating time	26 sec 90°
Rotation angle	360° set to 90° 2 intermediate positions possible
Duty duration	60% / max. 20 min
Electrical connection	cable gland
Nominal torque	7 Nm
Peak torque	9 Nm
Temperature	0°C bis + 50°C
Body material	ABS
Position indicator	optically (manual override handle)
Manual override	integrated

**Electrical connection:**

**3W KH „T“  
EO510 IND  
Solar**

12 - 24V  
100 - 230V  
lt. Typenschild  
type plate

