



SMART POOL TECHNOLOGY
MADE IN AUSTRIA

PERAQUA[®]
pooled family pleasure



**STEP
LESS**

45 db
LOW
NOISE

smart

ELECTRONIC SWIMMING POOL PUMP

E-PRO

**<90 %
ENERGY SAFING
AT LOWER SPEEDS**

HIGH EFFICIENCY

Thanks to the new impeller motor, new hydraulic system and new electronics board the pump is equipped with reliable components and designed for an extra long lifespan.

EXTREMELY QUIET

The special water cooled motor, the inverter and the anti vibration feet make e.swim the most silent swimming pool pumps on the market:

smart

STEPLESS SWIMMING POOL PUMP

E-PRO

APPLICATION

Smart E-PRO is the most silent and energy-efficient electronic swimming pool pump with built-in high capacity strainer basket.

The distinguishing features that make this pump unique are the high efficiency water-cooled permanent magnet motor, which ensures extremely quiet operation, the hydraulics optimised to reduce load losses, the programmable speeds that provide energy savings. The intuitive display, the programmable menu, the integrated diagnostic for the protection of the pump and the quiet operation ensure maximum comfort during use. It is suitable for swimming pool water recirculation and filtering systems (including salt water) for the residential and civil sectors, and for applications with aggressive liquids in fishing and agriculture.

EXTREMELY QUIET

E-PRO is provided with a **synchronous brushless electric motor** with incapsulated magnetic rotor, driven by frequency converter. The motor is water cooled (no motor fan) and therefore extremely quiet running. Additionally, the support base is supplied with **rubber feet to reduce vibrations**.

NOISE LEVEL COMPARISON

30 db WHISPERING	45 db E-PRO	90 db HAIR DRYER
----------------------------	-----------------------	----------------------------

CONSTRUCTION

Die cast **aluminium motor casing** with special coating to avoid oxidation.

electronic device based on **Trench IGBT technology** of the latest generation for higher efficiency and robustness.

Two dedicated 32-bit processors (one for motor control and one for the user interface), intuitive user interfaces, and external input (a digital input and a analogic input 0-10V or 4-20mA) ensure ease of setting for all users.



TECHNICAL DATA

30 m³/h
POOL VOLUME

16 m
DELIVERY HEAD

IP X5
STANDARD

230V
50/60 Hz VOLTAGE
single-phase

< 40 °C
WATER TEMPERATURE

4%
SALT WATER RESISTANT

CONTROL

The smart software not just allows the control of the variable speeds but also variable or constant flow rates (without sensors). This optimizes performance and minimizes energy consumption.

DISPLAY DETAILS

- high-resolution LCD screen 70x40 mm
- individual user interface
- „Auto“ mode activates automatic operation
- adjustable speed and flow buttons
- integrated protection (frost protection, dry running, anti-blocking)



MANUAL

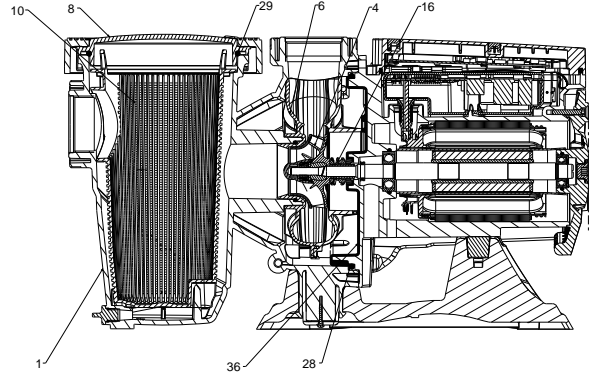


AUTOMATIC

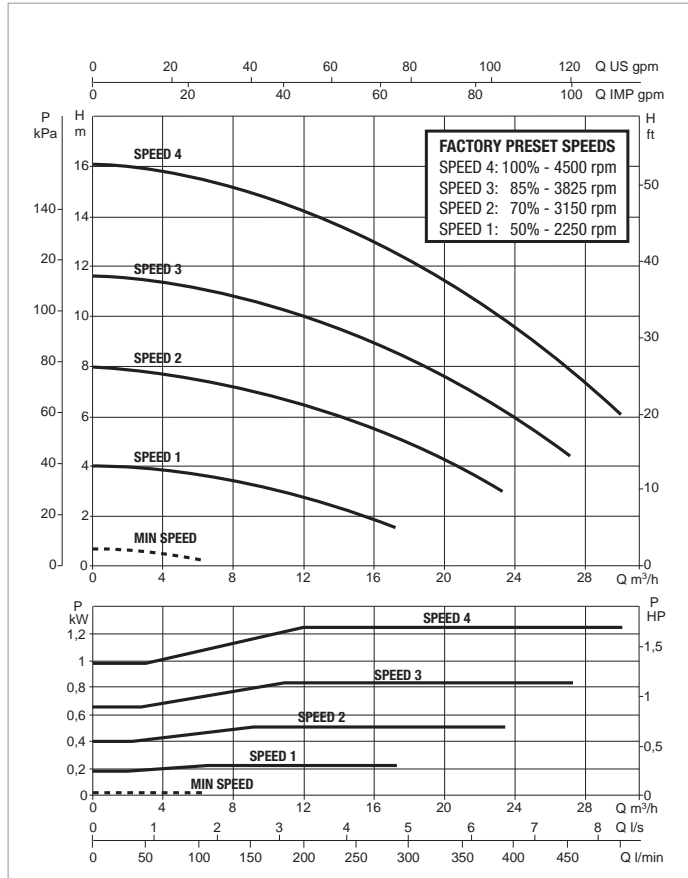
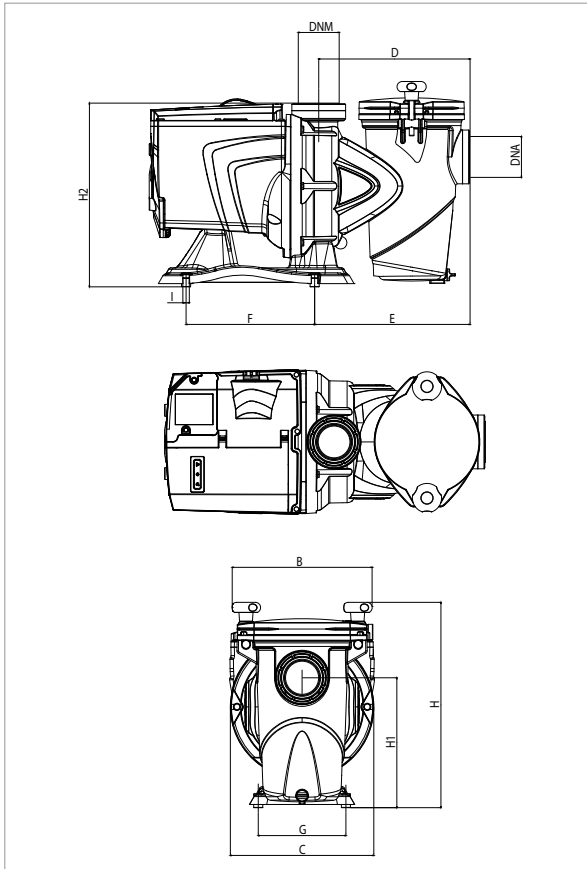
MATERIALS

N.	PARTS*	MATERIALS
1	PUMP BODY	REINFORCED TECHNOPOLYMER
4	IMPELLER	REINFORCED TECHNOPOLYMER
6	VOLUTE	REINFORCED TECHNOPOLYMER
8	STRAINER COVER	POLYCARBONATE
10	STRAINER	TECHNOPOLYMER
16	MECHANICAL SEAL	CARBON/ALUMINA/NBR/AISI316
28	O-RING	NBR
29	O-RING	NBR
36	SEAL HOLDING DISC	EPDM

* In contact with the liquid



PERFORMANCE CURVES



The performance curves are based on kinematic viscosity values = 1 mm²/s and density equal to 1000 kg/m³. Curve tolerance according to ISO 9906.

MODEL	PROD. NO.	C. VOLTAGE 50/60 Hz	P1 max W	P2 RATED OUTPUT kW PS	IN A	NOISE LEVEL max db (A)
E-PRO 150	7300445	230 V	1250	1,1 1,5	5,6	< 45 db
E-PRO 300	7300905	230 V	2,25	1,9 2,6	10	< 44 db

DIMENSIONS

MODEL	A	B	C	D	E	F	G	H	H1	H2	I	DNA	DNM	PACKAGING			WEIGHT	PCS/ PALLET
														L/A	L/B	H		
E-PRO 150	550	242	245	259	266	220	150	351	217	309	11	2"	2"	720	350	430	19	8
E-PRO 300	574	304	290	269	276	220	150	354	252	344	11	2"	2"	720	350	430	21,3	6

FEATURES



DESIGN

This innovative solution combines aesthetics with sturdy materials highly resistant to corrosion and oxidation.



INTEGRATED PREFILTER

It has a large canister, a cover that can be removed without tools, and an internal filter easy to take out and clean.



SYNCHRONOUS PERMANENT MAGNET MOTOR

The new synchronous motor with permanent magnets represents a new benchmark on the market due to its efficiency and dependability.



WATER COOLING

Motor cooled by the pumped water, which allows the elimination of the fan having a more compact product that can be installed in small poorly ventilated spaces.



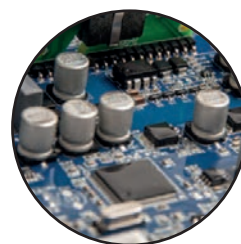
USER CONTROL PANEL

Intuitive interface panel for immediate control of the pump that allows a setting suitable for every need. High resolution LCD display:



ANTI-VIBRATION FEET

Basement that guarantees stability by reducing vibration thanks to integrated rubber feet.



VARIABLE SPEED CONTROL

Frequency converter electronic board that allows to work with variable speed or variable flow to optimize performance and minimize power consumption without the use of sensors:



HIGH EFFICIENT HYDRAULIC PARTS

Equipped with impeller and volute, designed specifically to improve / optimize the hydraulic efficiency.