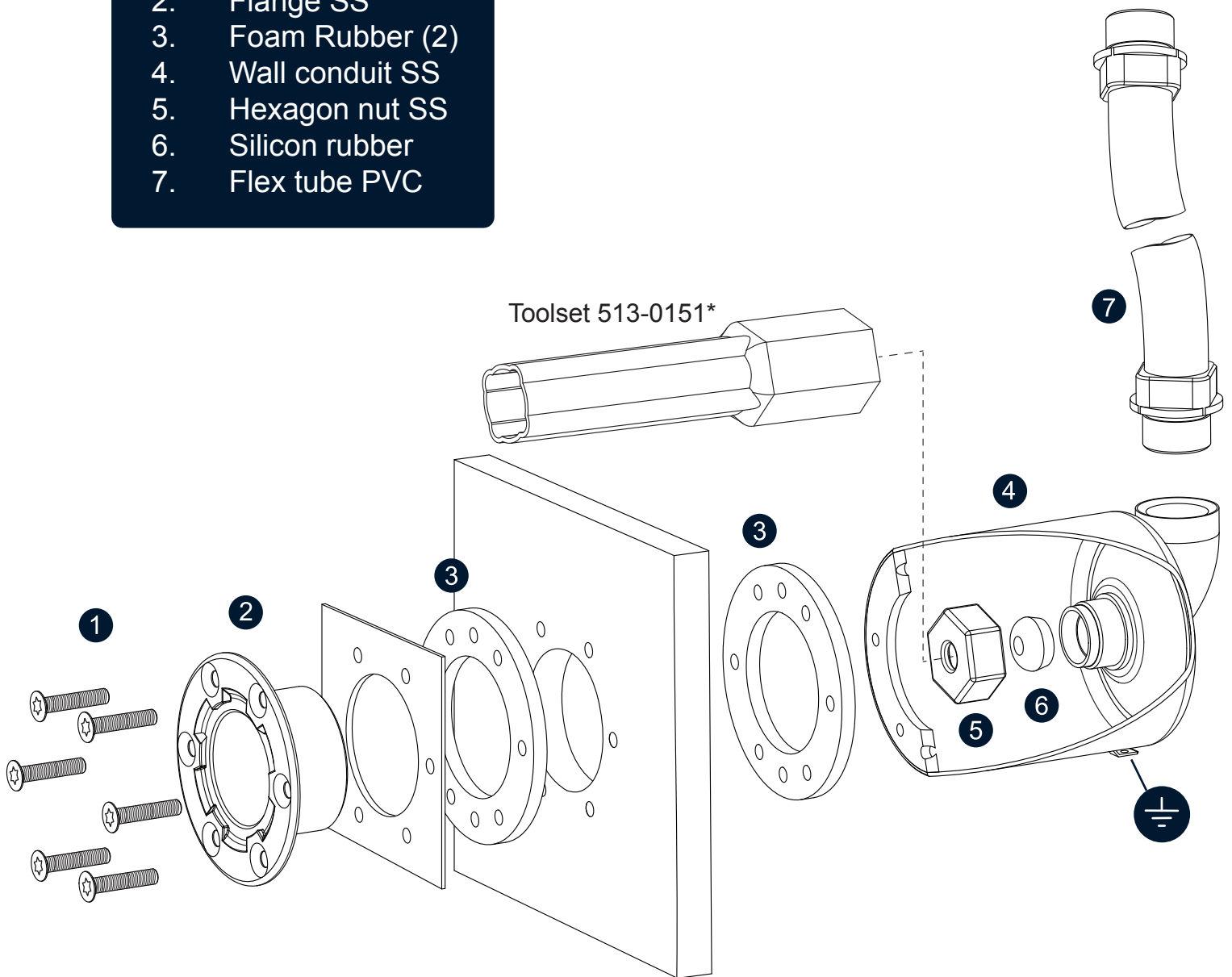


# PZA-WTM-SS

1. Screws (6)
2. Flange SS
3. Foam Rubber (2)
4. Wall conduit SS
5. Hexagon nut SS
6. Silicon rubber
7. Flex tube PVC



(\*) Tool not included

## DURAVISION