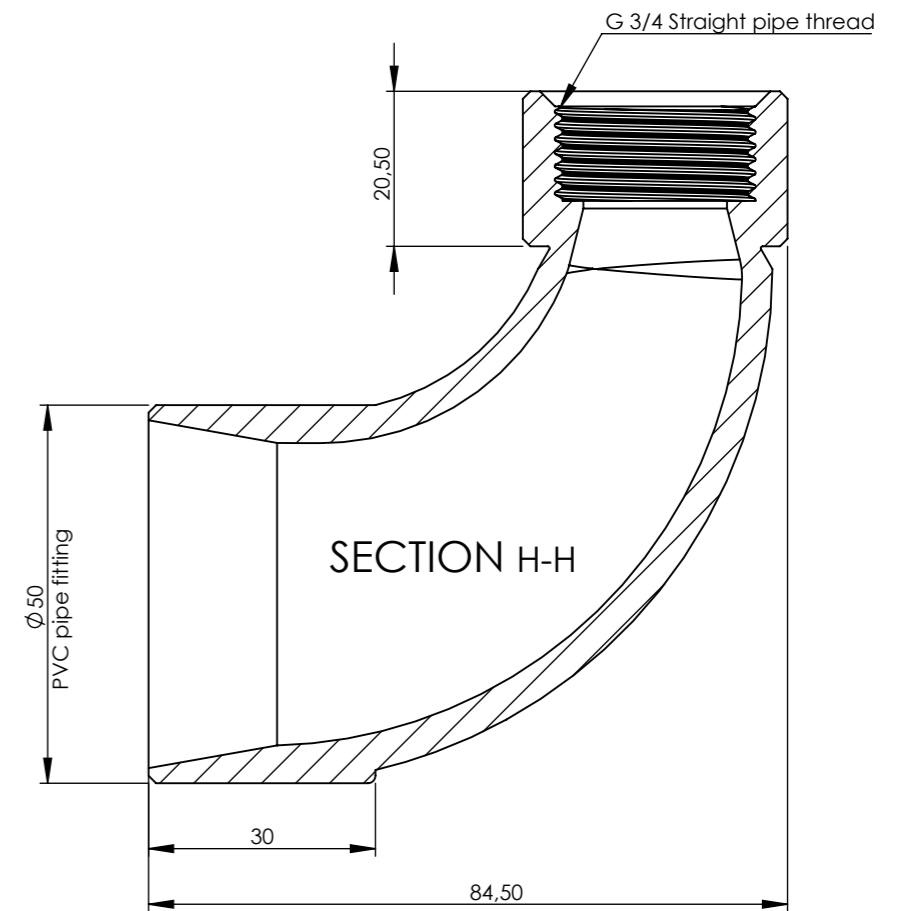
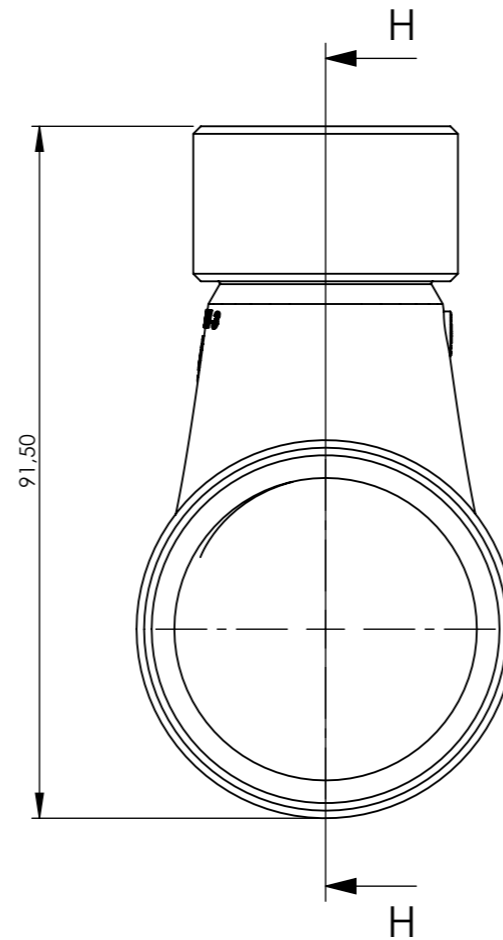
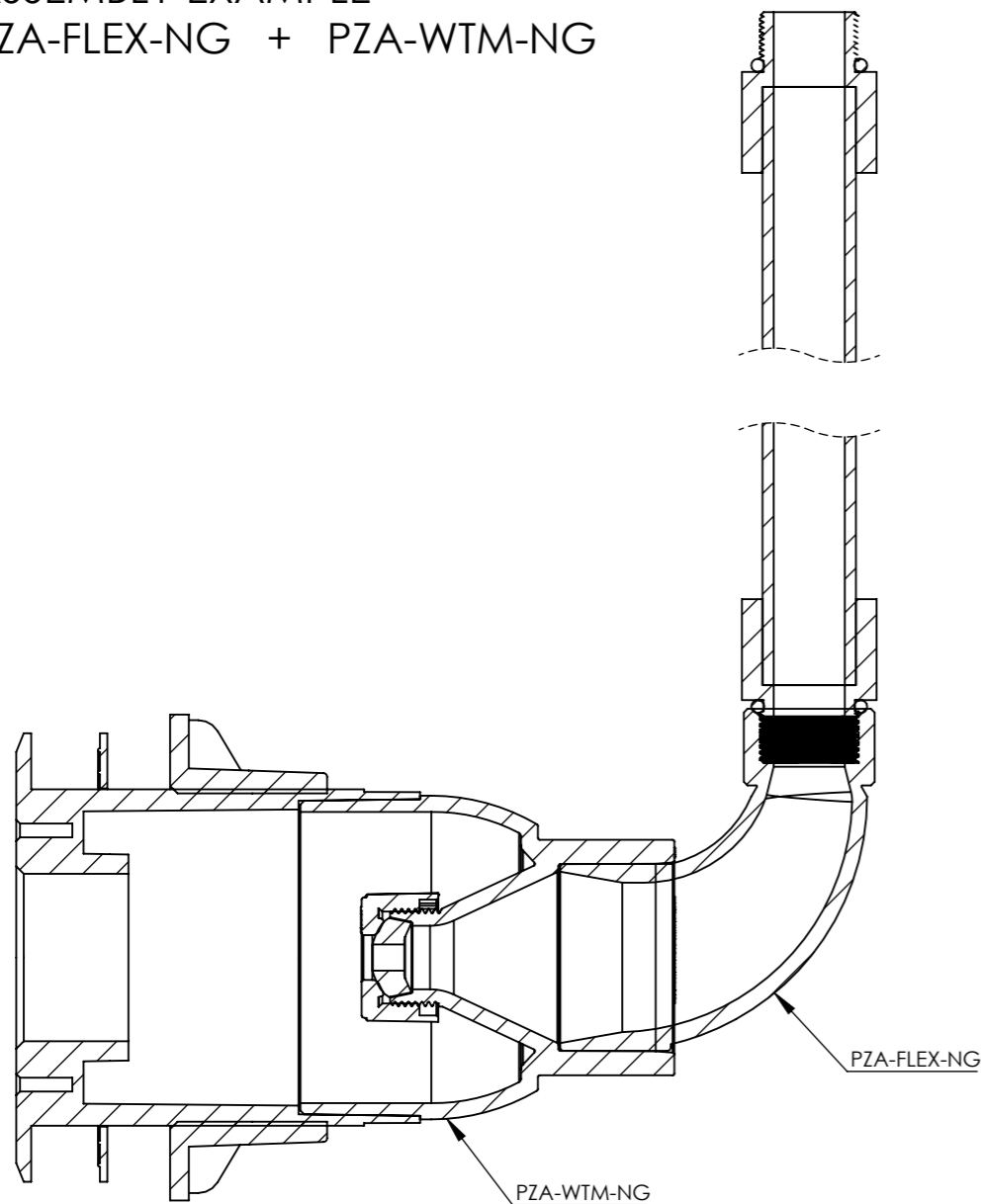


ASSEMBLY EXAMPLE
PZA-FLEX-NG + PZA-WTM-NG



DRAWING IS FOR REFERENCE ONLY REFER TO 3D CAD DATA FOR PART GEOMETRY		NAME	DATE	HOUSE OF DURATECH Innovative pool products	
		DRAWN BY	C.K.		16-04-24
GENERAL TOLERANCES (UNLESS OTHERWISE SPECIFIED) LINEAR: ± 0.2mm ANGULAR: ± 0.5°		APPROVED		TITLE: PZA-FLEX-NG dimensions	
		REVISION	1.0		
PROPRIETARY AND CONFIDENTIAL: THE INFORMATION CONTAINED IN THIS DRAWING IS THE SOLE PROPERTY OF PROPULSION SYSTEMS. ANY REPRODUCTION IN PART OR AS A WHOLE WITHOUT THE WRITTEN PERMISSION OF PROPULSION SYSTEMS IS STRICTLY PROHIBITED.		MATERIAL:		DWG NO.	A3
		COLOR:		DO NOT SCALE DRAWING	
		FINISH:		SCALE:1:1	SHEET 1 OF 1