

# MANUAL BACKWASH VALVES



SIDE MOUNT | TOP MOUNT  
1½", 2", 3" | 3.5 - 6 BAR



DESIGNED  
ENGINEERED &  
MADE IN AUSTRIA



## WHAT MAKES OUR MANUAL BACKWASH VALVES UNBEATABLE?

### OVER 50 YEARS OF EXPERIENCE

Research, development and production of the valves take place in Austria. This expertise guarantees maximum precision and sophisticated solutions. Praher backwash valves are used around the world in a wide range of climatic and application conditions dependably.



### 100% ABS HIGH-TECH ORIGINAL MATERIAL

Millions of applications and 50 years of expertise speak for the quality. We guarantee an above-average service life and therefore offer a 10-year guarantee on housing and cover breakage and provide a 10-year spare parts delivery guarantee. Wearing parts are excluded from the guarantee.

### 6-WAY, 7 POSITIONS

Praher backwash valves are characterised by the additional 7th valve position. The 6-way valves enable precise control of the water flow, while the 7th position relieves the pressure on the seals during winterisation.

### OPTIMUM FLOW & PRESSURE LOSS VALUES

Praher 6-way valves are tested for function and tightness in accordance with DIN 3230. With these values, the valves are among the best in the industry when it comes to filtering and backwashing processes.

### INNOVATIVE HOUSING SEALING SYSTEM

The specially developed housing sealing system ensures perfect sealing performance and a long valve service life. The easily replaceable star seal in the valve disc saves time and money during service intervals.

### SUITABLE FOR EVERY POOL FILTER SYSTEM

Praher backwash valves are available in numerous versions: Side Mount / Top Mount, 1½" / 2" / 3", 3.5 - 6 bar operating pressure, with valve piping sets for all common filter brands worldwide on request.

### INDIVIDUALITY IS WRITTEN IN CAPITAL LETTERS

Give every technical room and every filter system a distinctive identity with a customised logo and laser inscription or neutral packaging (from a minimum order quantity of 1,000 units).

### EASY INSTALLATION IN PIPING SYSTEM

The valves are designed to allow simple and space-saving installation with practical PVC fittings and pipework in any utility room.



## 6 WAYS / 7 POSITIONS - THE TRIED AND TESTED ORIGINAL

The 6-way valve plays a central role in pool maintenance as it controls the water flow directions in the filter & backwash processes. Each position of the valve has a specific function:

### FILTER

The pool water flows through the filter from top to bottom to remove dirt and impurities.

### RINSE

Rinse the sand filter after backwashing to remove any remaining dirt. We recommend 30 seconds.

### RECIRCULATE

Enables water circulation without filtering, the filter is not burdened. This allows e.g. heating of the pool water or distribution of water disinfection without pressure loss and less temperature loss.

### BACKWASH

Reverse water flow cleans the sand filter of accumulated dirt.

### WASTE

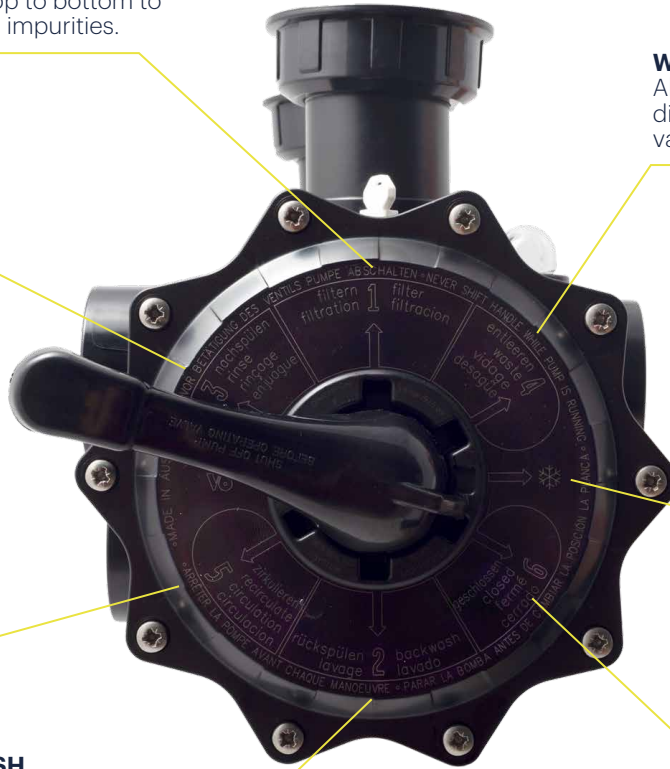
Allows the pool to be emptied directly into the drain via the valve.

### WINTER POSITION

Additional position of the 6-way valve specially developed by Praher for winterisation. The valve disc is raised, relieves the seals and protects against frost damage.

### CLOSED

Blocks the water flow and is used for maintenance work.

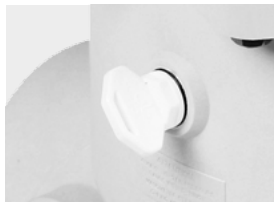


## SPECIAL DETAILS



### SIGHT GLASS

The sight glass is used to check the degree of soiling in the backwash water.



### CONNECTION FOR PRESSURE GAUGE

Instead of the plug, a pressure gauge can be screwed in and the pressure inside the valve monitored.



### SIMPLE ASSEMBLY OF AN AQUASTAR®

An ingenious solution for automating filter and backwash processes in just a few steps. Find out more about the Aquastar® models from Praher Plastics on the following pages.

# OVERVIEW OF VARIANTS

## VERSATILE AND FUNCTIONAL

- » Praher 6-way backwash valves are available in two colours: black and white.
- » They can be ordered in various materials, operating pressures, sizes and also with bonded piping.

### SIDE MOUNT (SM)



Housing material **ABS:**

- » 1½", 2", 3" | 3.5 bar
- » In black or white colours
- » up to +40 °C operating temperature

Housing material **ASA GF:**

- » 1½", 2" | 6 bar
- » 3" | 5 bar
- » In natural colour
- » up to +50 °C operating temperature

## ABS vs. ASA GF: SIMPLY EXPLAINED

ABS is a versatile and tough plastic that can withstand impact and stress. It is lightweight yet robust. It is characterised by its high resistance to chemicals.

ASA GF is a reinforced version of ABS. GF stands for glass fibre reinforced. The glass fibres give ASA GF greater strength, rigidity and temperature resistance than ABS. This is particularly important when the valves are used in public pools.

### TOP MOUNT (TM)

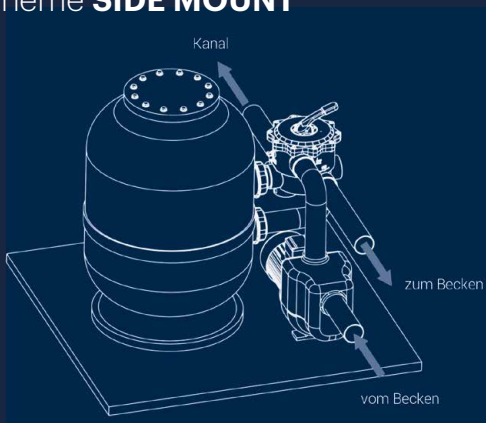


Housing material **ABS:**

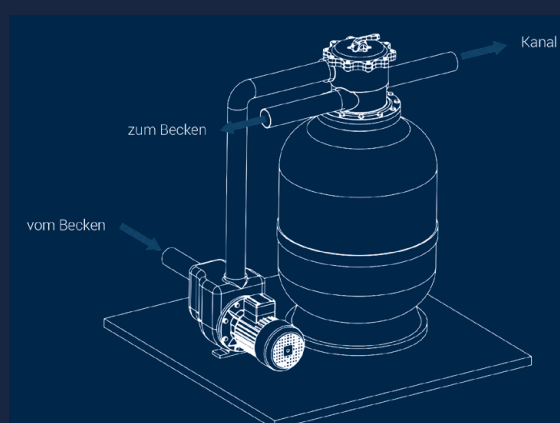
- » 1½", 2" | 3.5 bar
- » In black or white colours
- » up to +40 °C operating temperature

# EASY INSTALLATION IN PIPING SYSTEM

## Scheme **SIDE MOUNT**



## Scheme **TOP MOUNT**





## IMPORTANT TIPS FOR OPERATING YOUR 6-WAY VALVE:

- » Always switch off the pump before switching the valve. This prevents damage to the filter, pipework and the entire pool technology
- » Always add fresh water immediately after backwashing to bring the water level in the pool back to the correct level. This ensures an optimal filter process and prevents the pump from running dry.
- » The water can be replenished manually or fully automatically with pool water level regulators.

- » The frequency of backwashing depends on how dirty the pool is. As a rule of thumb: 1-2 times a week during normal operation.



When using Nature Works glass filter media, the backwash frequency is reduced to 0.5 times per week.

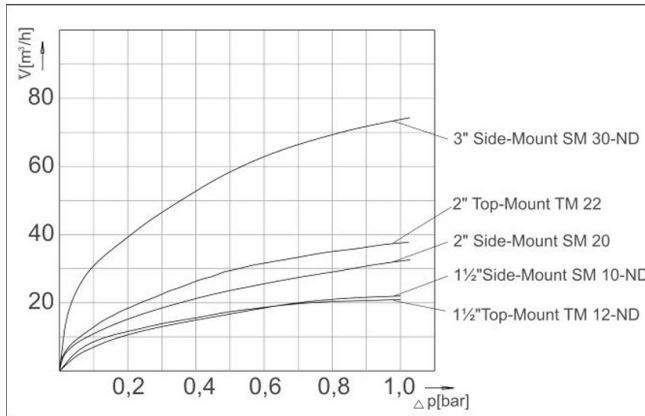
## OPTIMUM PRESSURE DROP VALUES

With 6-way valves, the pressure drop value plays an important role in filtering, as it influences the efficiency and performance of the filter system.

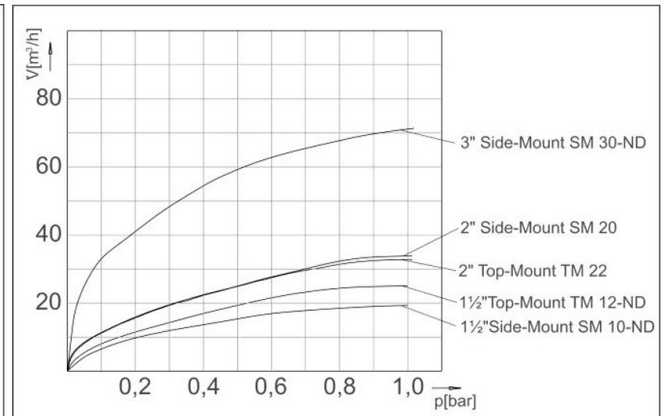
A low pressure loss value means that the pump has to use less energy to pump the water through the filter. This results in lower power consumption and therefore more cost-effective operation. A pressure loss value that is too high can lead to damage to the valve and the filter system.

Larger valves generally have a lower pressure loss value than smaller valves. The higher the flow rate, the higher the pressure drop value.

### PRESSURE LOSS\* AT „FILTER“ POSITION



### PRESSURE LOSS\* WITH „BACKWASH“ POSITION



\*The graphs show values for valve, without filter and filter media.

## HOUSING SEALING SYSTEM

Praher 6-way backwash valves are characterised by an innovative housing sealing system that has been specially developed for perfect sealing performance.

The star seal is integrated into the valve disc. A unique feature is that the seal does not have to be laboriously „scraped out“ when it is worn. Instead, the valve disc can simply be replaced. This saves time and effort and ensures that the backwash valve always works reliably.



# V6 SIDE MOUNT

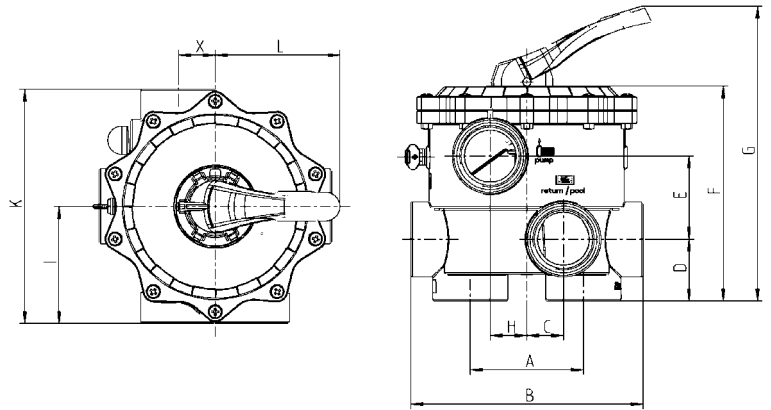


All backwash valves are also available in black.

## 6-way backwash valve V6 Side Mount

PN	1 1/2"		2"		3"	
	ABS	ASA-GF	ABS	ASA-GF	ABS	ASA-GF
	3.5 bar	6 bar	3.5 bar	6 bar	3.5 bar	5 bar
<b>Dimensions</b>						
A	99		110		170	
B	180		227		329	
C	31.5		36		50	
D	48.5		60		85.5	
E	60		81		110	
F	165		210		304	
G	247		296		434	
H	41.5		36		50	
I	87.5		115		165	
K	175		230		330	
L	135.5		135.5		206	
X	30		36		50	

Dimensions in mm



# V6 TOP MOUNT

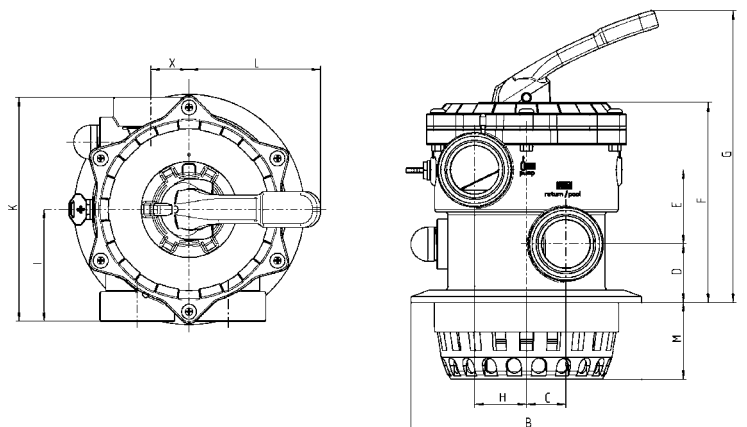


All backwash valves are also available in black.

## 6-way backwash valve V6 Top Mount

PN	1 1/2"	2"
	ABS	ABS
	3.5 bar	3.5 bar
<b>Dimensions</b>		
A	130	125
B	see flange variants	see flange variants
C	31.5	36
D	38	43
E	59.5	81
F	235.5	280
G	245	292
H	41.5	36
I	90	114.5
K	180	229
L	135.5	135.5
M	46	57
X	30	36

Dimensions in mm



# CONNECTION TYPES

## SIDE MOUNT

### 1½" valve

- » Solvent socket d50 metric
- » Treaded connection R1½" BSP
- » Treaded connection R1½" NPT

### 2" valve

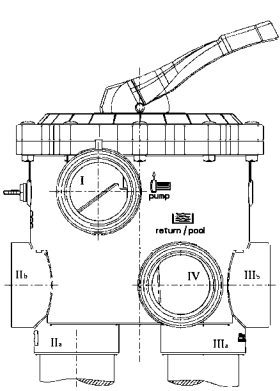
- » Solvent socket d63 metric
- » Treaded connection R2" BSP
- » Treaded connection R2" NPT

### 3" valve

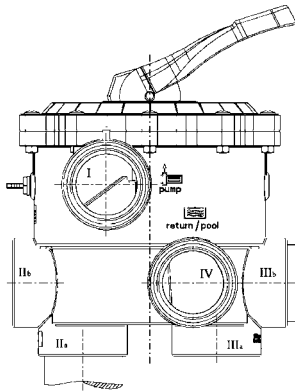
- » Solvent socket d90 metric
- » Treaded connection R3" BSP

I	from pump	IV	to the pool
II	to filter	V	to the channel
III	from filter	-	-

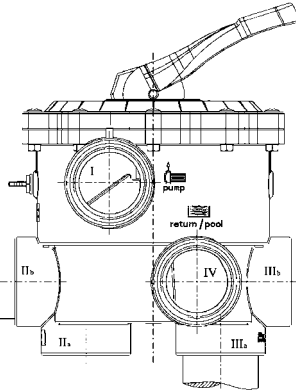
Optionally available with BS\* internal thread or adhesive connections.  
\*British Standard



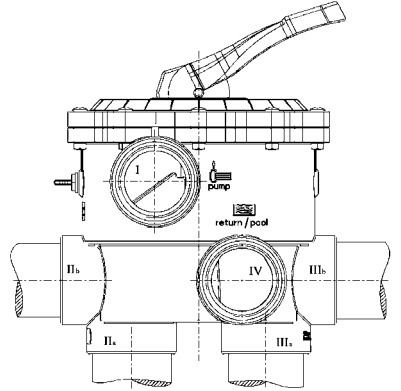
SM 10-1 1½"  
SM 20-1 2"



SM 10-2 1½"  
SM 20-2 2"



SM 10-3 1½"  
SM 20-3 2"  
SM 30-3 3"



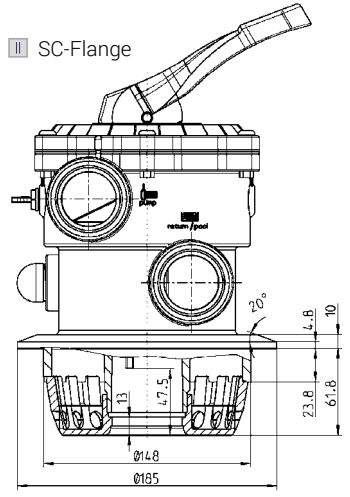
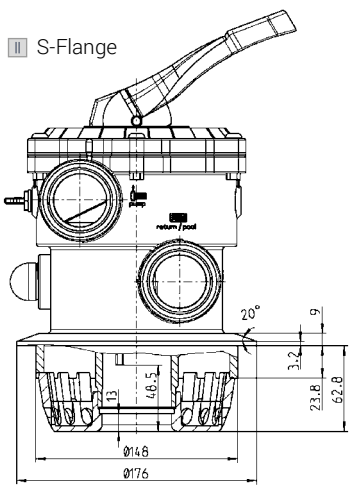
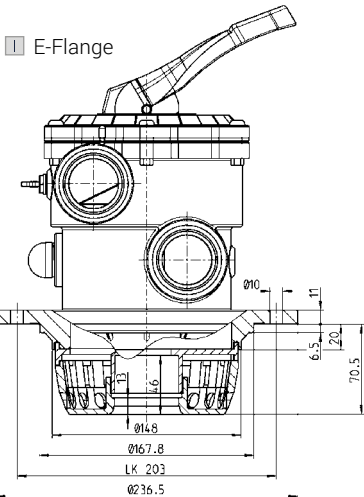
SM 10 AO 1½"  
SM 20 AO 2"  
SM 30 AO 3"

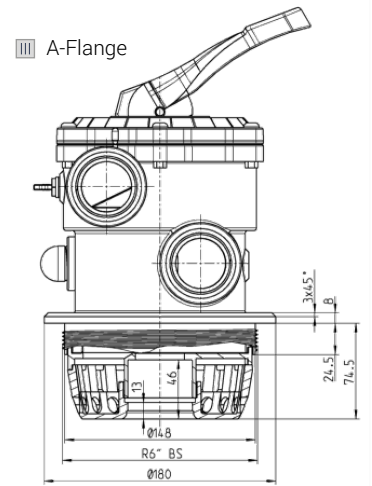
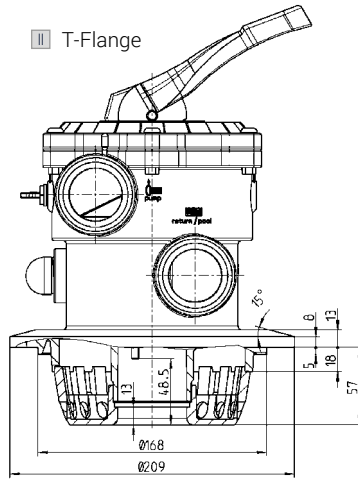
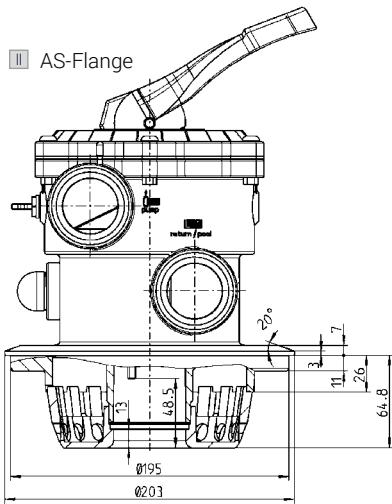
# CONNECTION TYPES

## TOP MOUNT

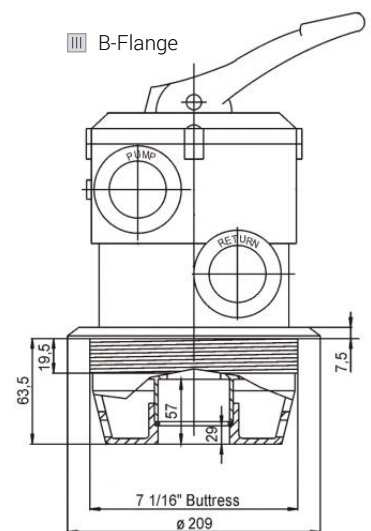
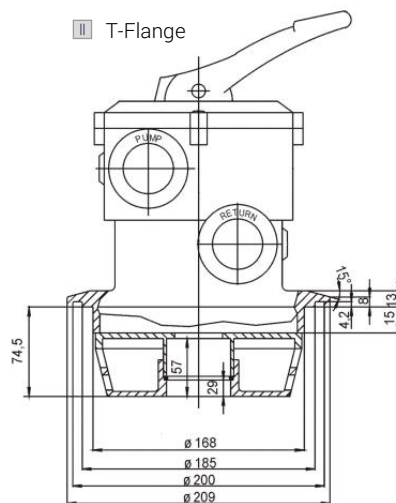
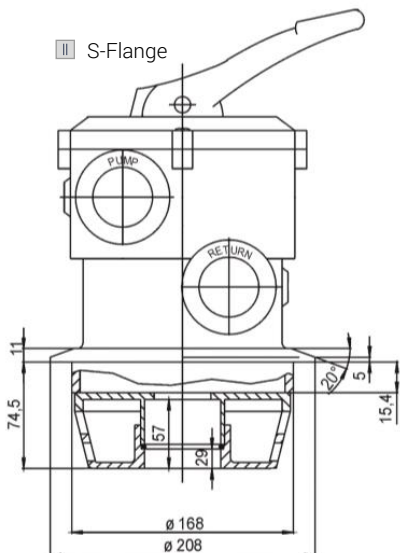
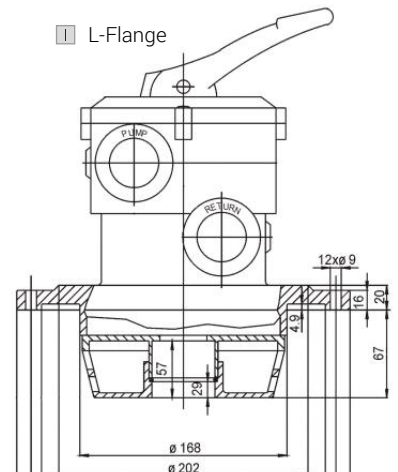
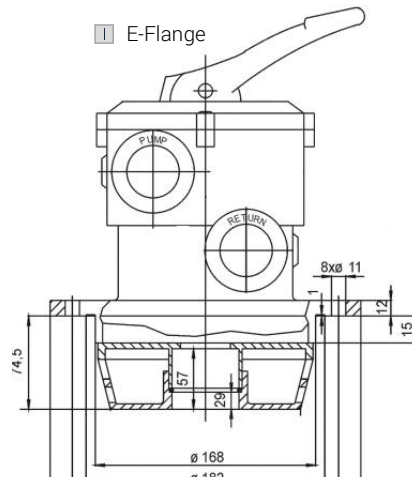
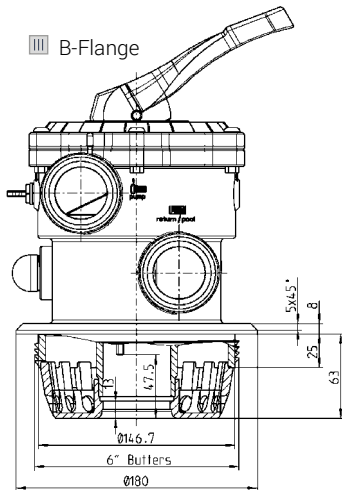
I	Screw flange
II	Clamping flange
III	Threaded flange

### Flange connections TOP MOUNT 1½"





## Flange connections TOP MOUNT 2"





**PRAHER PLASTICS** **BACKWASH VALVES**  
**AQUASTAR® SERIES**

The Aquastar® backwash valves are a product series of automatic backwash valves for filter systems in swimming pools. Say goodbye to manual backwashing and experience convenient water purification with modern technology.

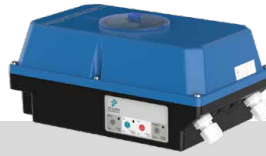
The simple installation on manual Praher 6-way valves (side mount and top mount) allows quick, subsequent adaptation to all filter systems.

Safety is the top priority with Aquastar®: Visual position indicator shows the current valve position, manual override enables manual control in an emergency, pressure sensor monitors the system pressure, protection class IP65



**Aquastar® MP6 plc**

- » External PLC/PLC control
- » Compatible with smart home controls



**Aquastar® Easy 2**

- » Timer switch
- » Optional additional pressure switch
- » Pump monitoring



**Aquastar® Control**

- » Automatic control via settings on the digital display
- » Pressure switch and timer
- » Integration of numerous pool control functions (control of pump, temperature, solar system and water level)

**AQUASTAR**

**CONVERSION TO A MODERN, FULLY AUTOMATIC BACKWASH VALVE**

Our manual Praher backwash valves are designed so that any Aquastar® actuator can be retrofitted using simple technology and minimal labour. The manual backwash valve does not have to be removed from the pipework.



**>> SIMPLE AS THAT >>**



**ASSEMBLY REQUEST: FILTER WITH AUTOMATIC CONTROL**

Peraqua filters are supplied with a manual Praher 6-way valve as standard. At Peraqua, we can also fit the Aquastar actuator to the valve on request. When ordering in our online shop, select a filter with a manual valve and a matching Aquastar® actuator. Please specify the installation request under comments when ordering.



# WITH PIPING SET



## 6-way backwash valve V6 with piping set

1½" and 2" backwash valve with glued-in pipework set, pipe bend spacing 125 mm or 190 mm, also with suitable pipework for all known filter brands, special pipework on request..

## ACCESSORIES

### Valve piping HAYWARD

Item No. 170158,  
170261

d50 - 1½", white or black

### Valve piping ASTRAL, ESPA, IML, CERTIKIN

Item No. 170353,  
170151

d50 - 1½", spacing 125 mm, with union nut in white, with flange in black



### Pipe bend and connection piece

Item No. 150064, 150063,  
150067, 150108,  
150126, 150113

d50 - 1½", white, black or grey,  
pipe bend: 245 x 158 mm,  
connecting piece: 122 mm



### PVC sight glass

Item No. 7300321,  
7300322, 123256

d50 / DN40  
d63 / DN50  
d90 / DN80



### Ocean® Fittings

Item No. 170396,  
170380, 170355, 170402,  
170386, 170085, 170185

d50 - 1½": white, grey, black  
d63 - 2": white, grey,  
d90 - 3": grey  
d90 - extra long: white



### Clamping ring set TM12T

Item No. 50194

Clamping ring for backwash valve Tflange  
with screws 1½" (39mm) nuts  
and O-ring 183.52 x 6.99 mm



FAMILY, SPORT, RELAXATION - THERE'S LIFE IN A POOL.



**PERAQUA®**

# A POOL FULL OF LIFE

Our top priority is to enrich every pool with creative, perfect, affordable and, above all, durable pool technology. The focus is on ensuring that the selected technology provides maximum ease of use, safety, cleanliness and sustainability for your project.

Adapted to the digital age, you can choose between fully automatic pool control solutions based on WiFi or manual system solutions in **Peraqua®-Quality**.

Our mission is to implement Peraqua® & Praher top quality in all areas of our range of services from sales, marketing, logistics, training, service as well as repair and after-sales service with the best commitment.

# PERAQUA®



**Peraqua Professional  
Water Products GmbH**  
Handelsstraße 8, 4300 St. Valentin

T. +43 7435/58488-0  
info@peraqua.com



[shop.peraqua.com](https://shop.peraqua.com)



**PERAPLAS DEUTSCHLAND GMBH**  
Regensburger Ring 12, 91154 Roth  
T. +49 9171 9677-1200  
office.de@peraplas.com



**PERAPLAS ČESKO s.r.o.**  
25101 Říčany-Jažlovice, Zděbradská 62  
T. +420 323 63 76-73  
office.cz@peraplas.com



**CHEMIA BRUGG AG**  
Aaraustrasse 51 | 5200 Brugg  
T. +41 56 460 62 60  
info@chemia.ch

Member of **PRAHER  
GROUP**